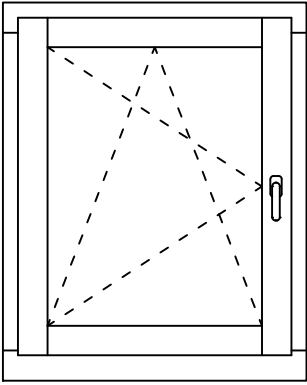
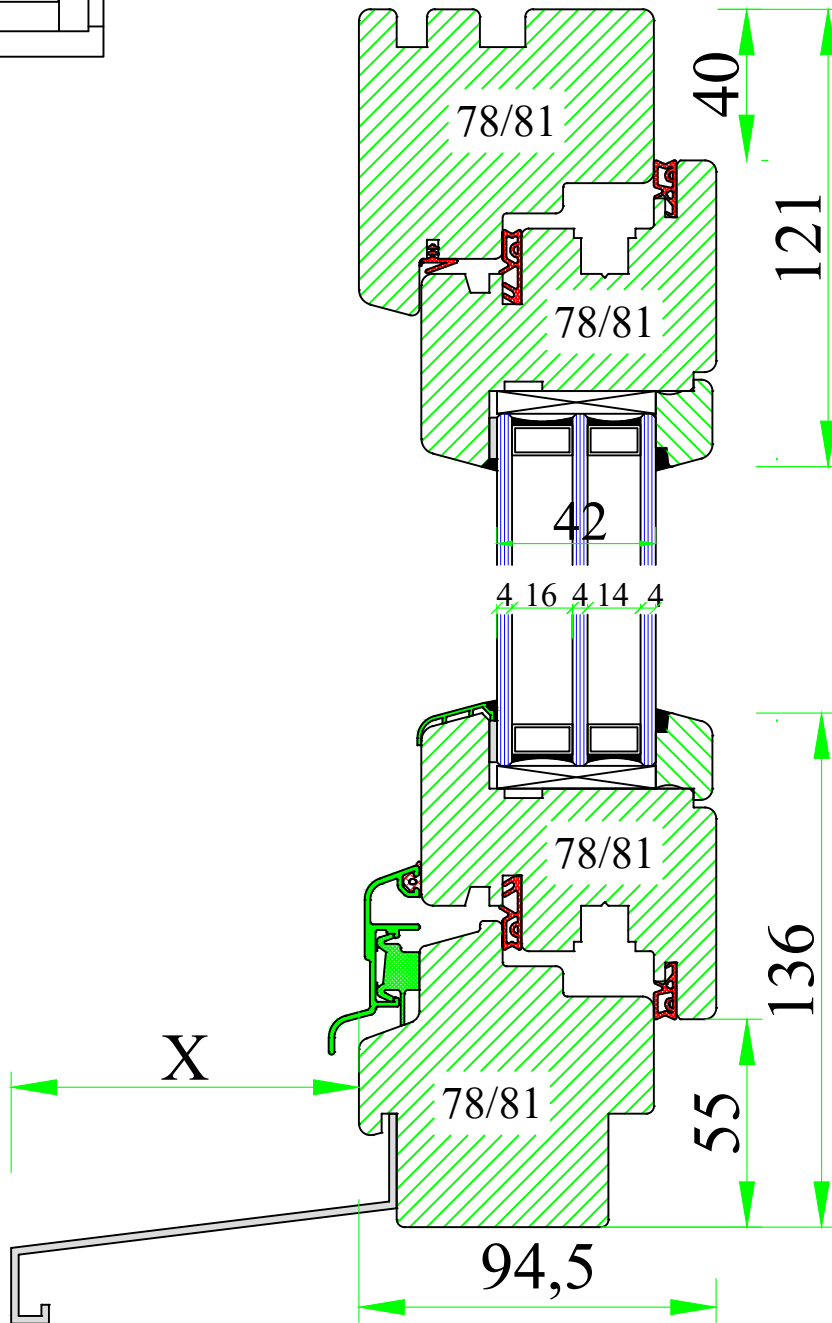


A



A

A-A

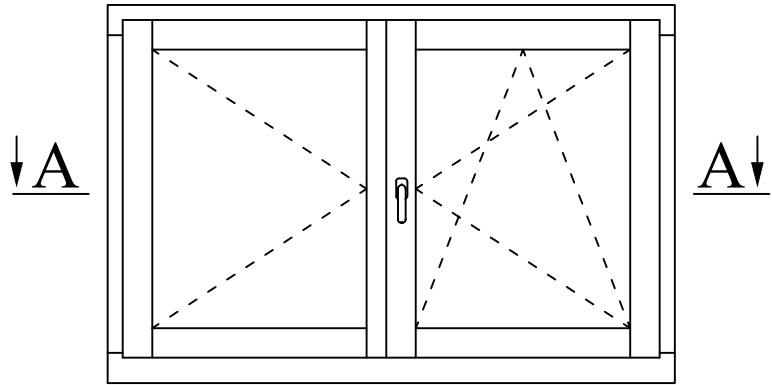


UNI WINDOWS Ltd.
 Unit 6, Edgefield Industrial Est.
 Loanhead, EH20 9TB
 Tel.: 0131 448 3931

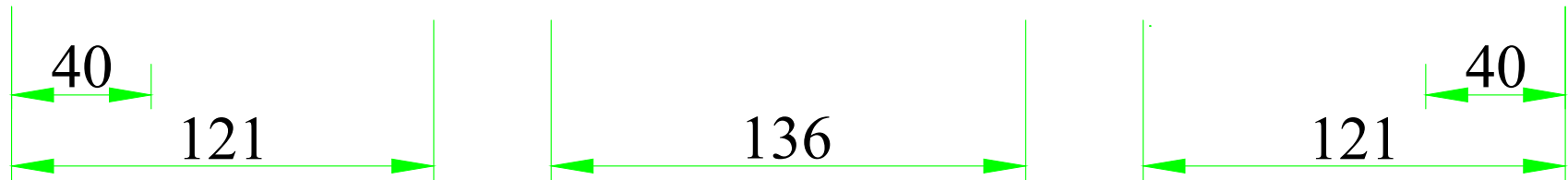
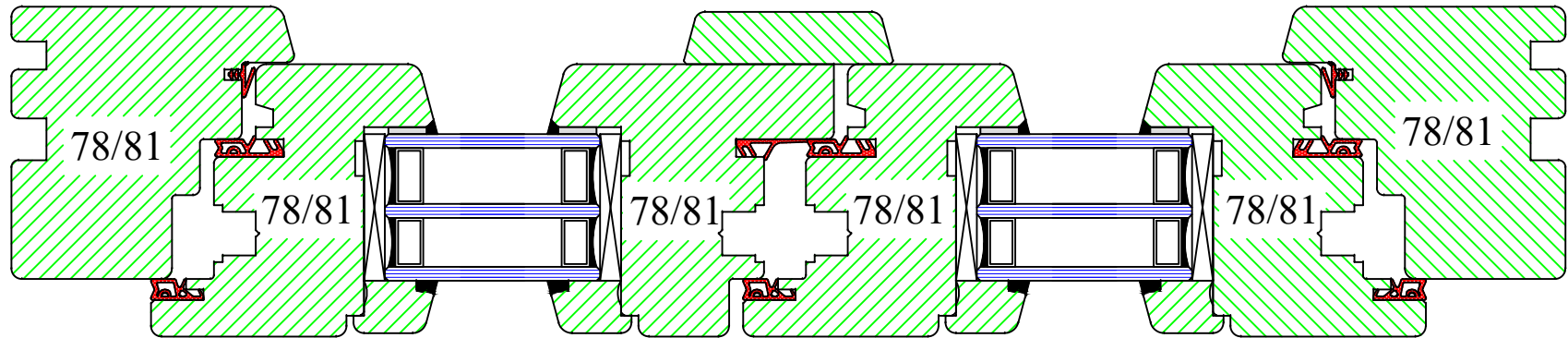
IV 78 ECOPLUS
 Iward opening tilt & turn window

Version:
1
 Date:
23.03.17

Scale:
1:2
 Drawing:
EO1



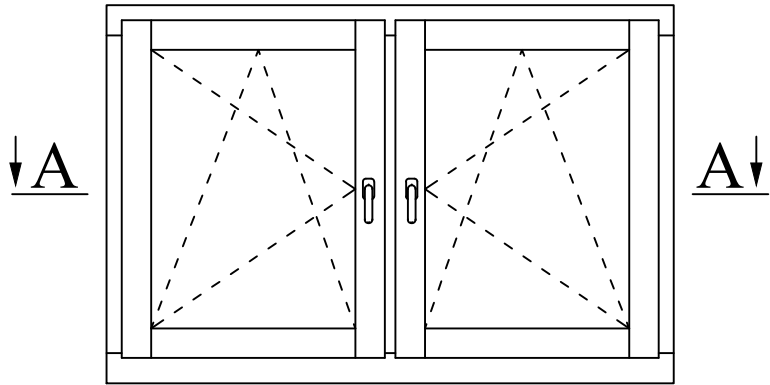
A-A



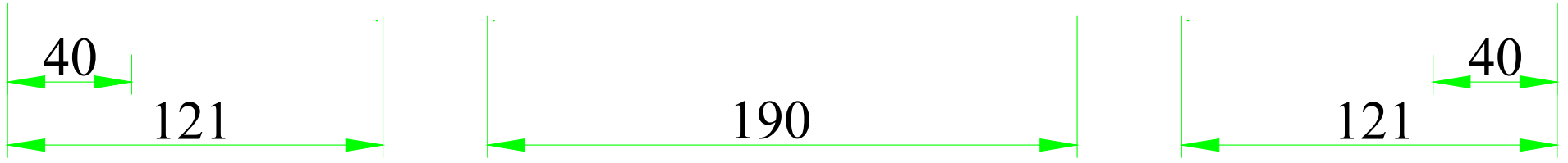
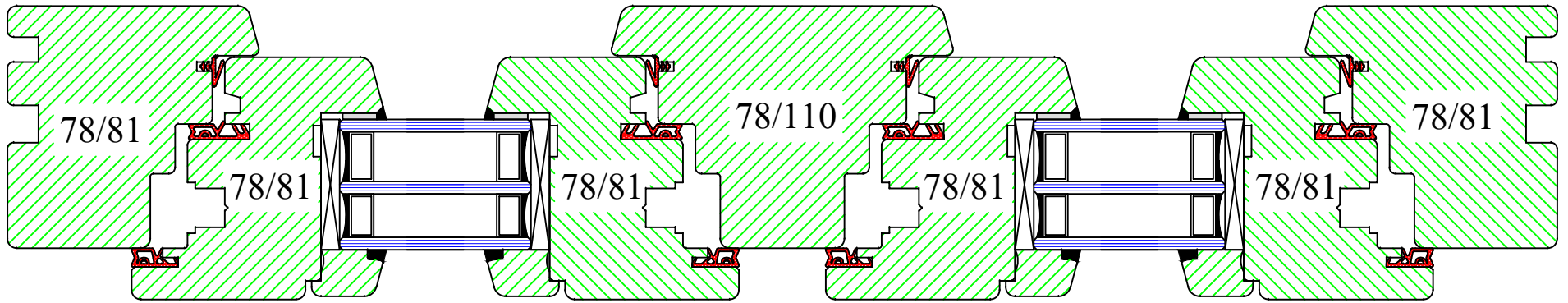
UNI WINDOWS Ltd.
 Unit 6, Edgefield Industrial Est.
 Loanhead, EH20 9TB
 Tel.: 0131 448 3931

IV78 ECOPLUS
 Double opening window with flying mullion

Version: 1	Scale: 1:2
Date: 23.03.17	Drawing: EO2



A-A



www.uniwin.co.uk

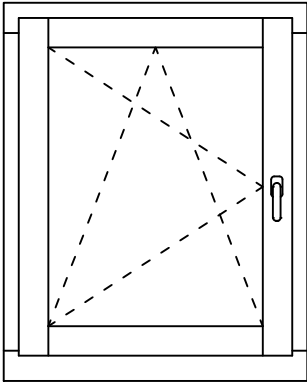


UNI WINDOWS Ltd.
 Unit 6, Edgefield Industrial Est.
 Loanhead, EH20 9TB
 Tel.: 0131 448 3931

IV78 ECOPLUS
 Double opening window with fixed mullion
 110mm

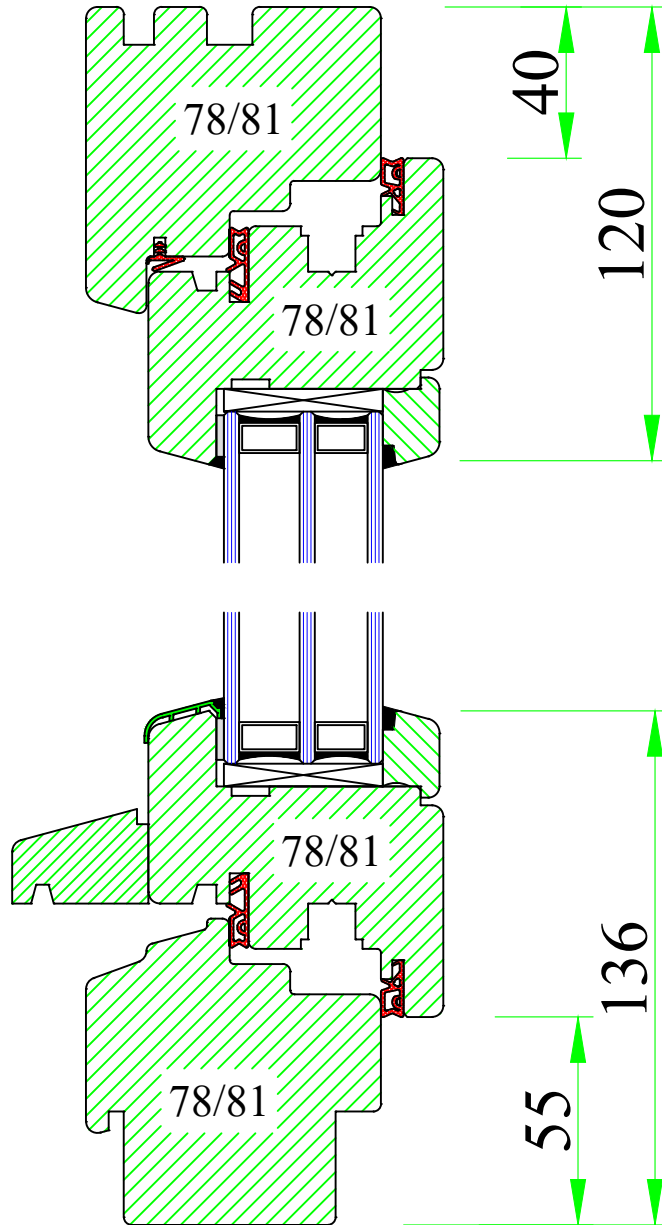
Version: 1	Scale: 1:2
Date: 23.03.17	Drawing: EO17

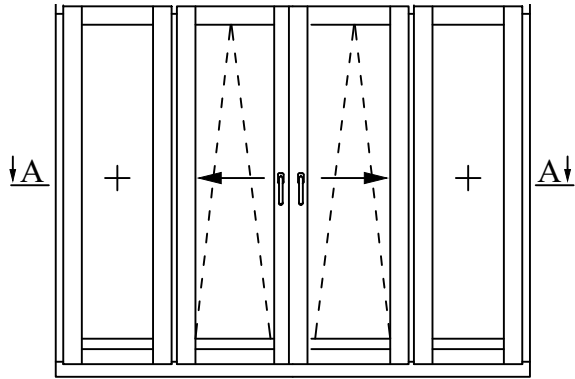
A



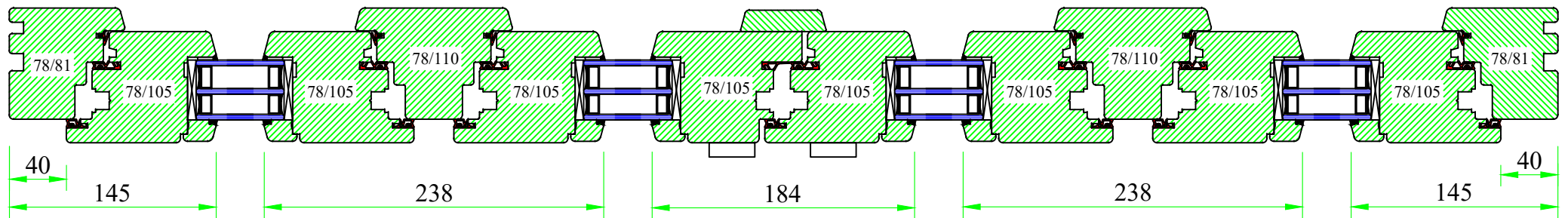
A

A-A





A-A

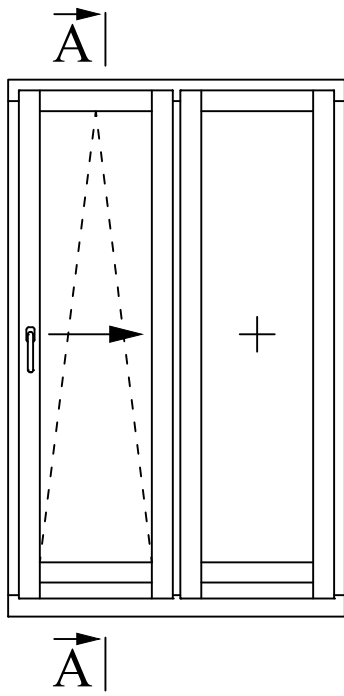


www.uniwin.co.uk

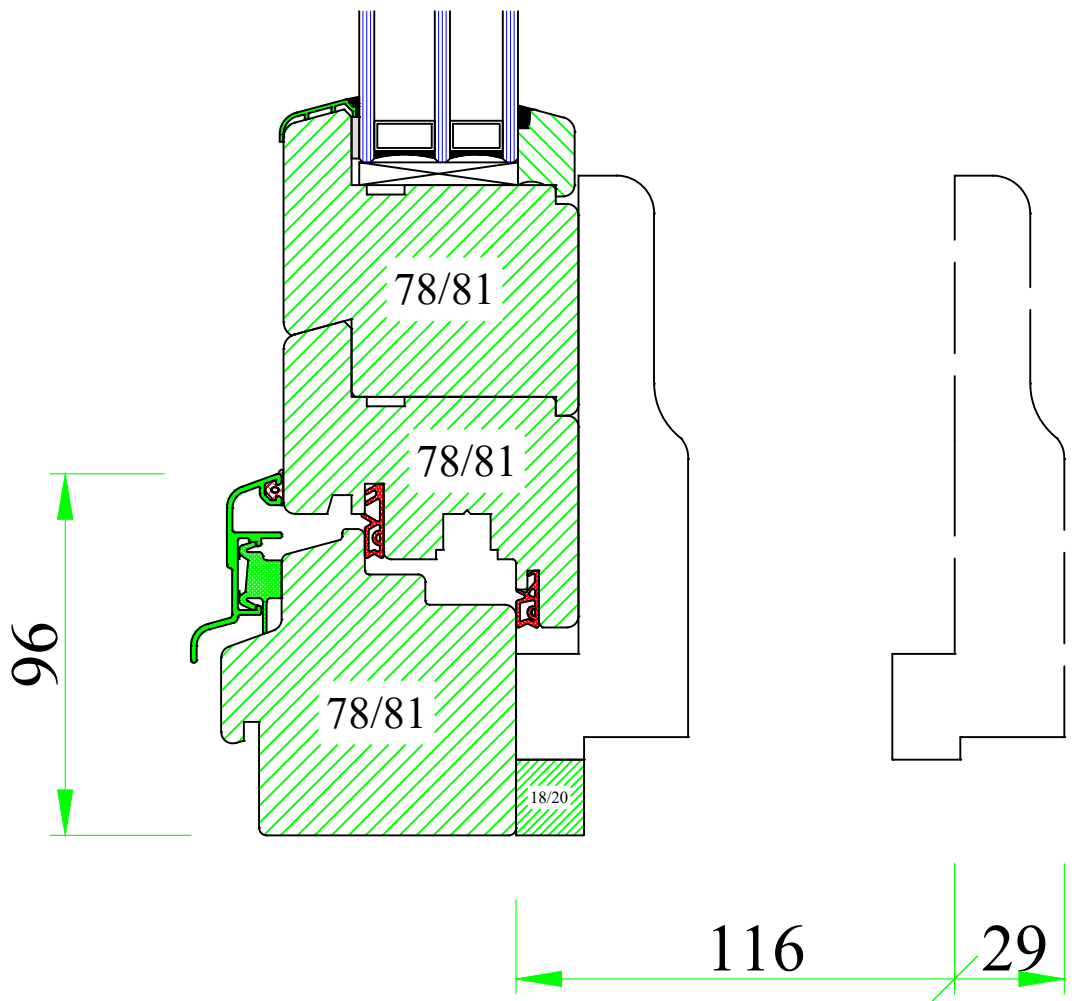
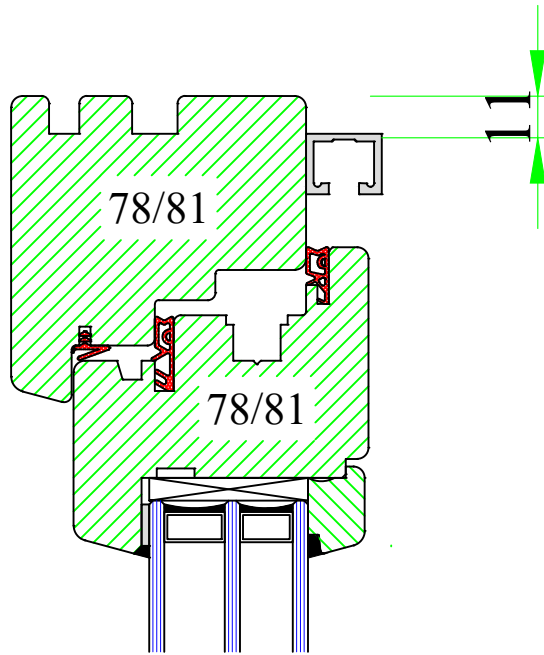


UNI WINDOWS Ltd.
 Unit 6, Edgefield Industrial Est.
 Loanhead, EH20 9TB
 Tel.: 0131 448 3931

IV78 ECOPLUS Tilt & slide door type C	Version: 1	Scale: 1:4
	Date: 23.03.17	Drawing: EO6



A-A



www.uniwin.co.uk



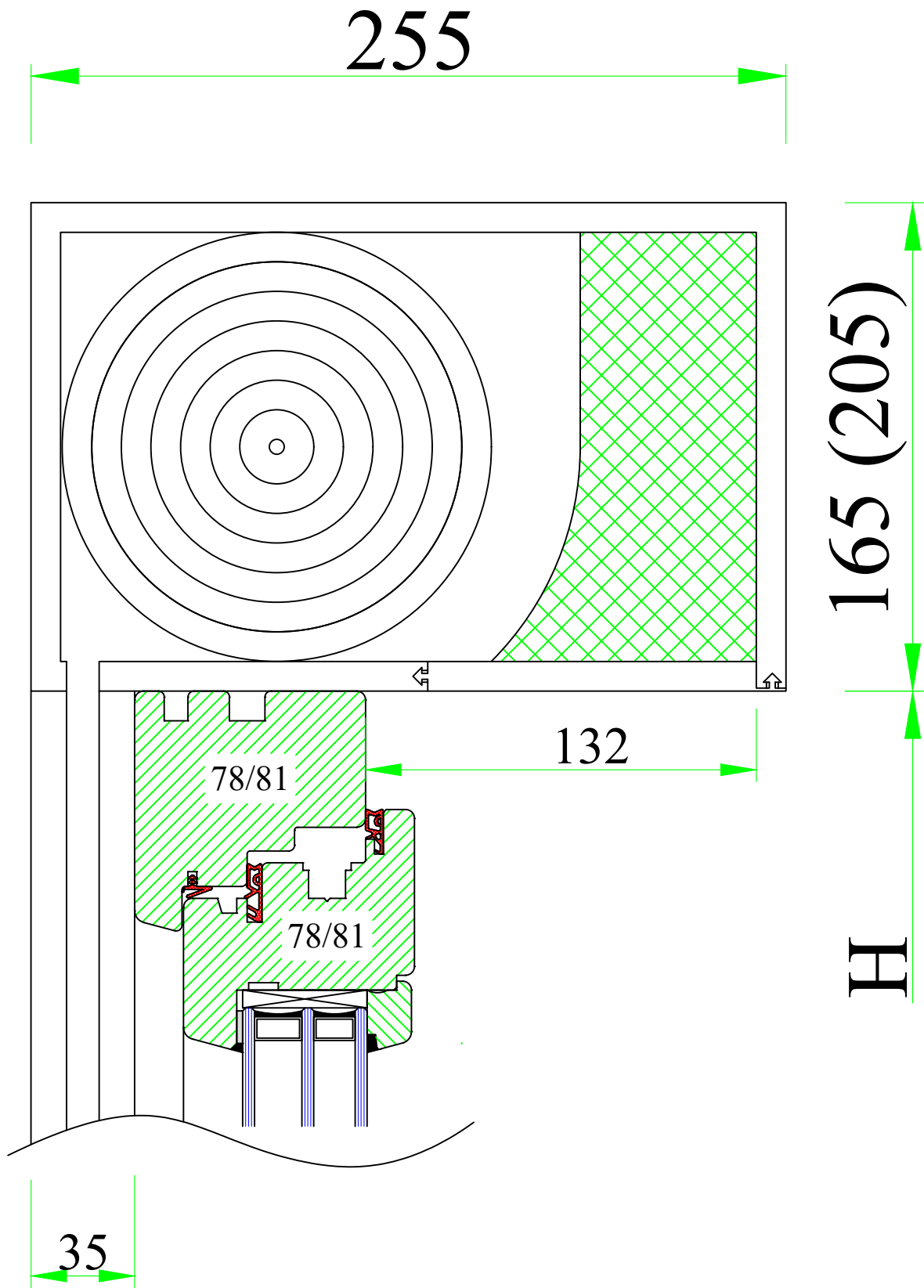
UNI WINDOWS Ltd.
 Unit 6, Edgefield Industrial Est.
 Loanhead, EH20 9TB
 Tel.: 0131 448 3931

Tilt & slide door

IV78 ECOPLUS

Version:
1
Date:
23.03.17

Scale:
1:2
Drawing:
EO8



www.uniwin.co.uk



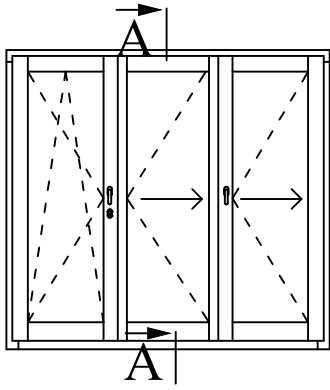
UNI WINDOWS Ltd.
 Unit 6, Edgefield Industrial Est.
 Loanhead, EH20 9TB
 Tel.: 0131 448 3931

Window shutter BeClever

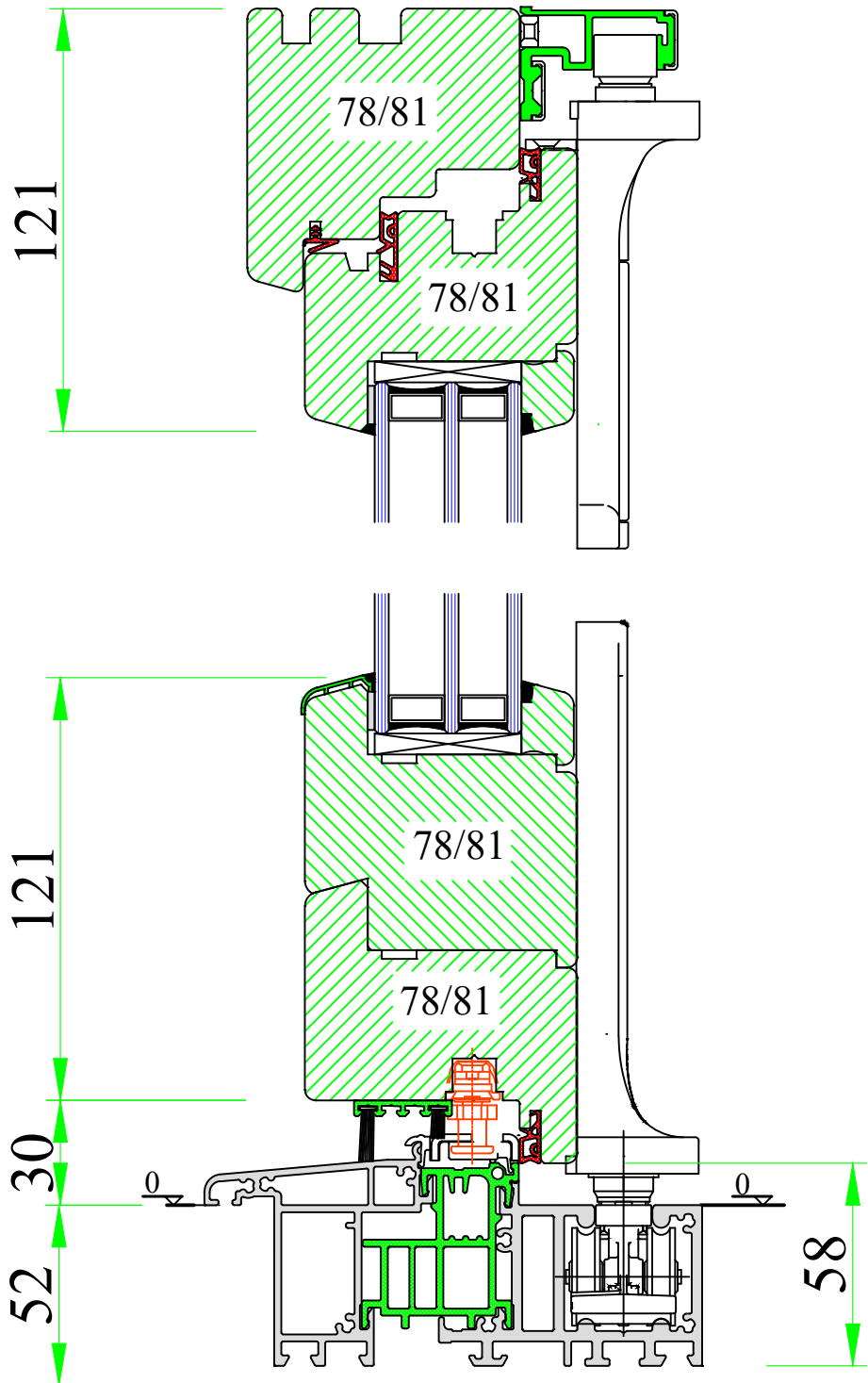
IV78 ECOPLUS

Version:
1
Date:
23.03.17

Scale:
1:2
Drawing:
EO9



A-A



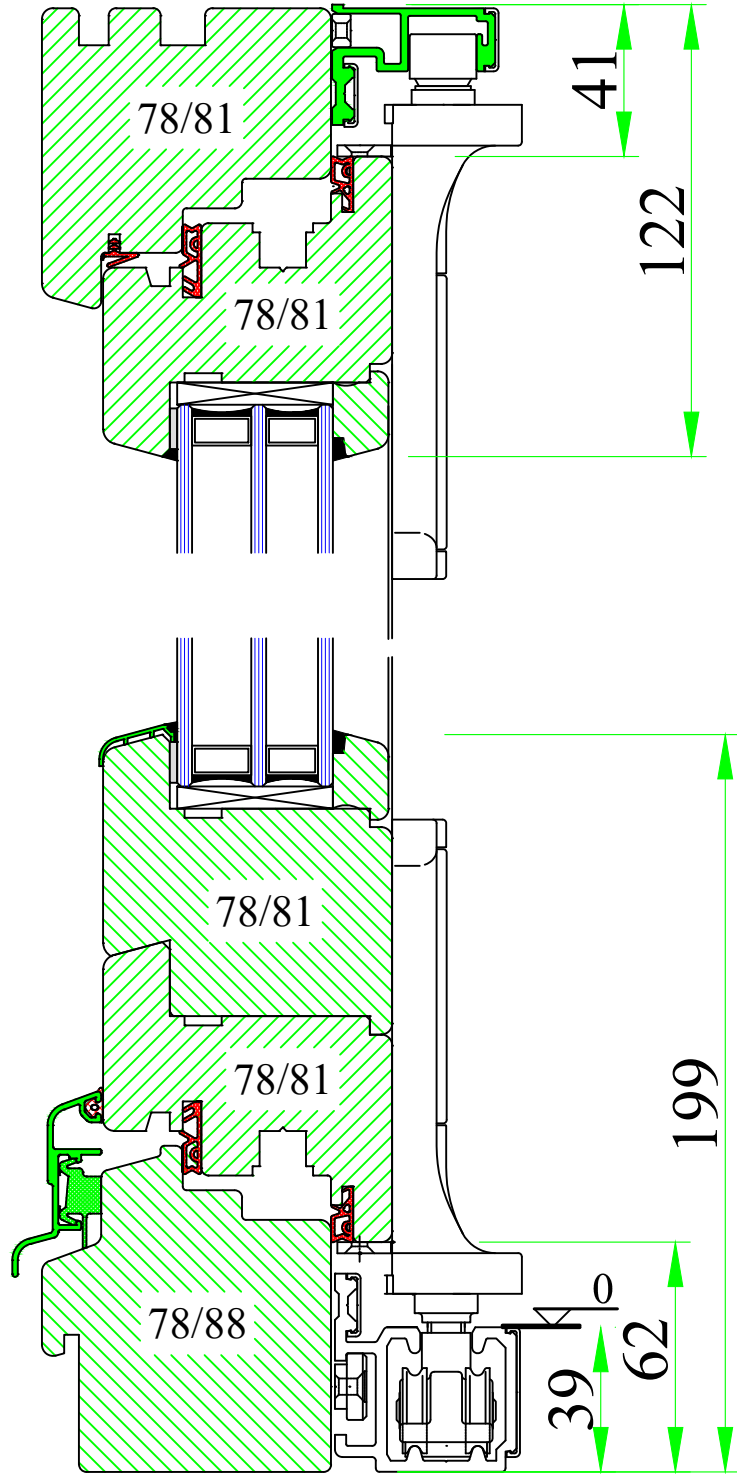
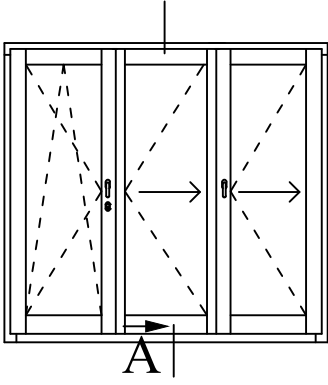
www.uniwin.co.uk



UNI WINDOWS Ltd.
 Unit 6, Edgefield Industrial Est.
 Loanhead, EH20 9TB
 Tel.: 0131 448 3931

IV78 ECOPLUS
 Folding sliding door with low aluminium
 threshold Comfort

Version: 1	Scale: 1:2
Date: 23.03.17	Drawing: EO10

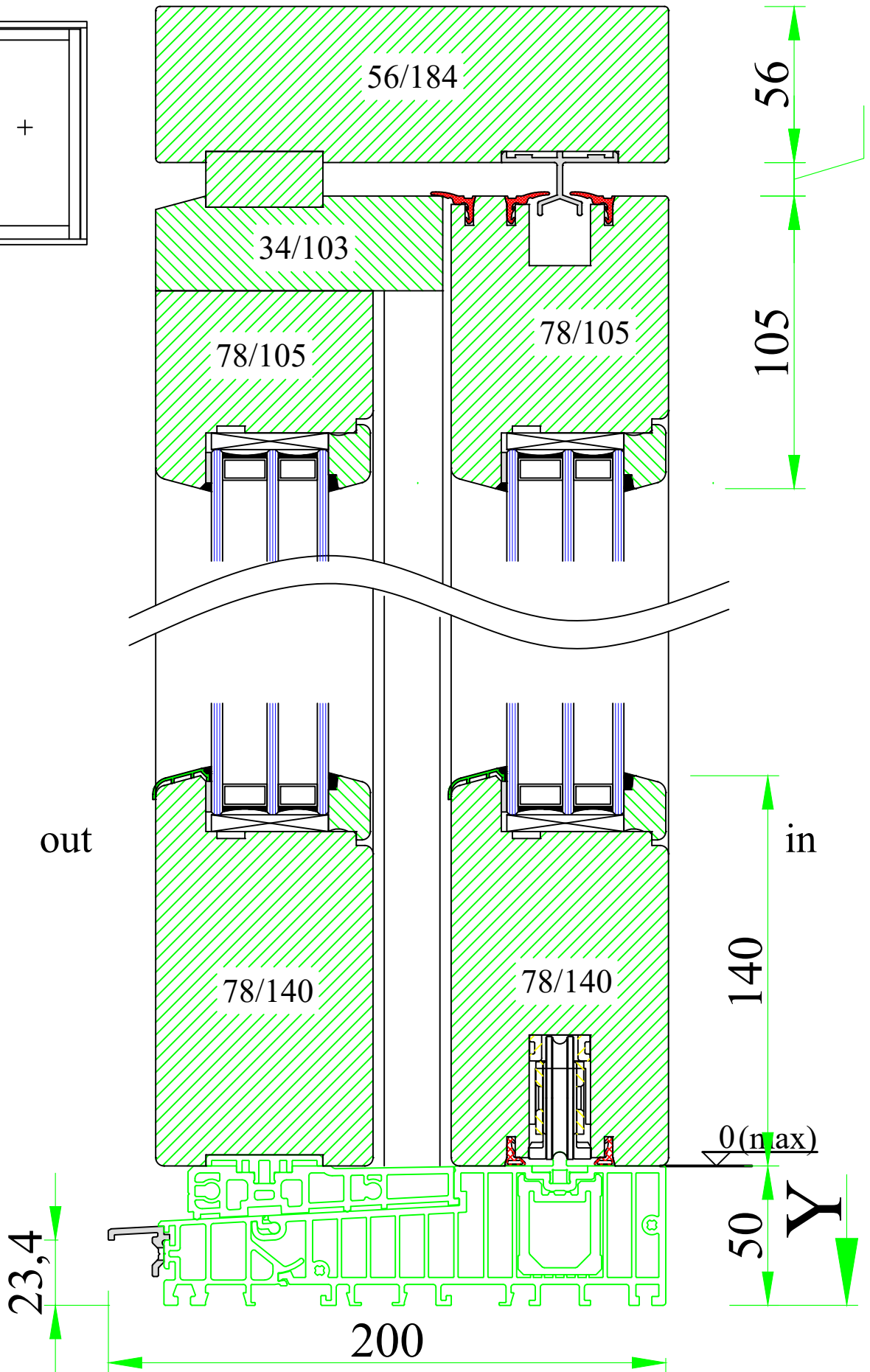
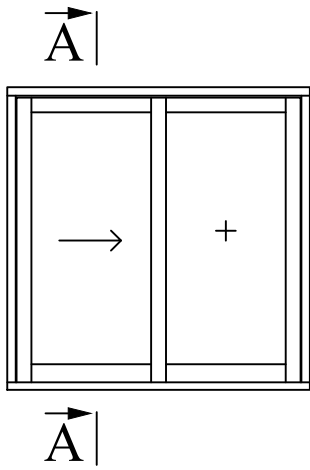


UNI WINDOWS Ltd.
 Unit 6, Edgefield Industrial Est.
 Loanhead, EH20 9TB
 Tel.: 0131 448 3931

IV78 ECOPLUS
 Folding sliding door with wooden threshold

Version:
1
 Date:
23.03.17

Scale:
1:2
 Drawing:
EO11



www.uniwin.co.uk

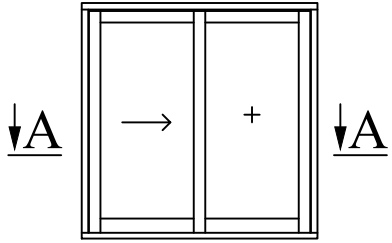


UNI WINDOWS Ltd.
 Unit 6, Edgefield Industrial Est.
 Loanhead, EH20 9TB
 Tel.: 0131 448 3931

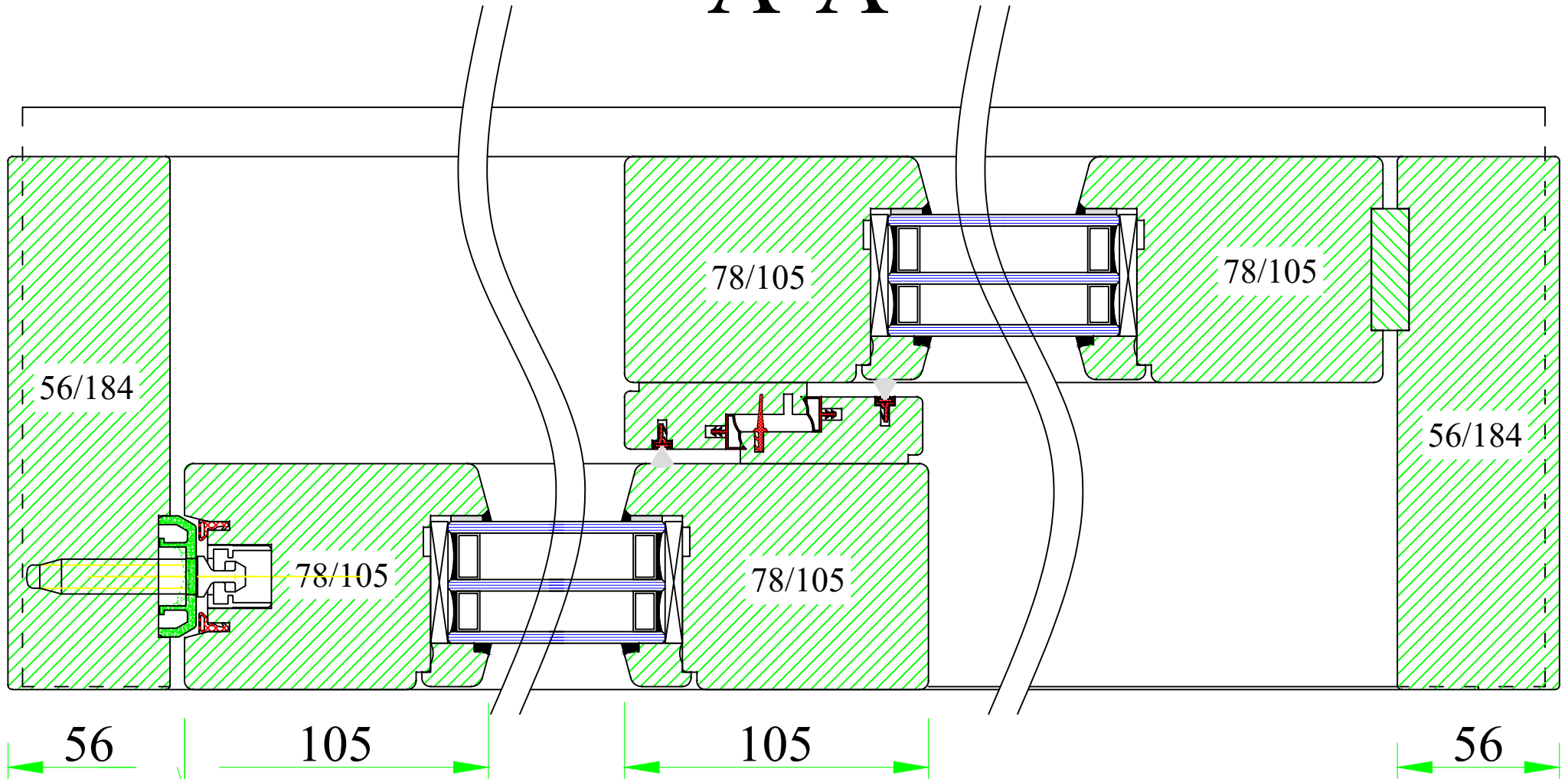
IV78 ECOPLUS
 HS Lift & slide door - vertical cut

Version:
 1
 Date:
 23.03.17

Scale:
 1:2
 Drawing:
 EHS1



A-A



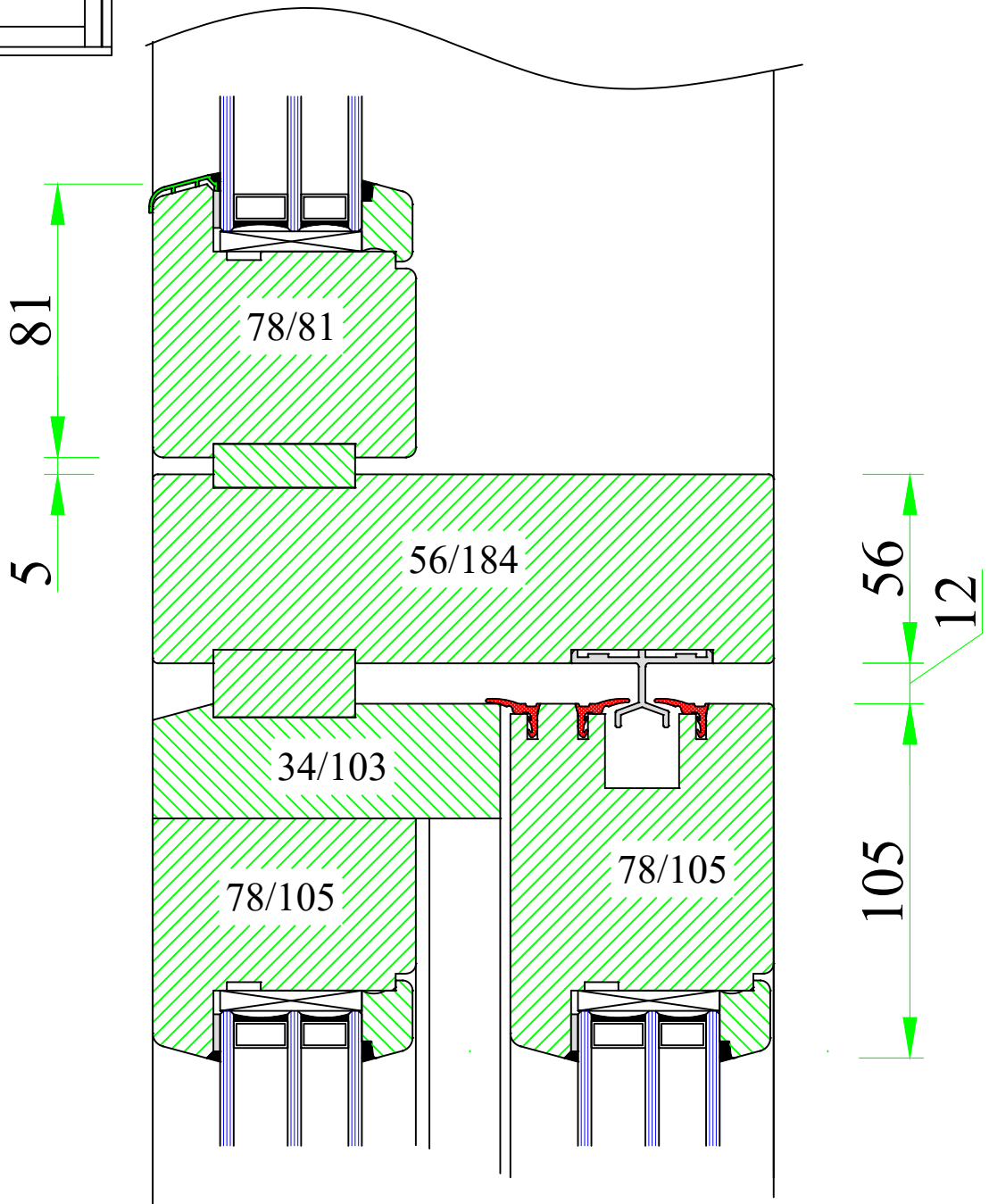
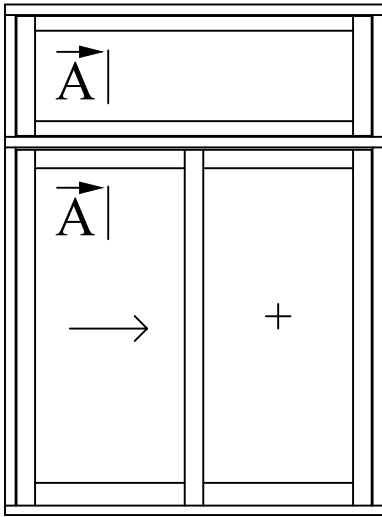
www.uniwin.co.uk

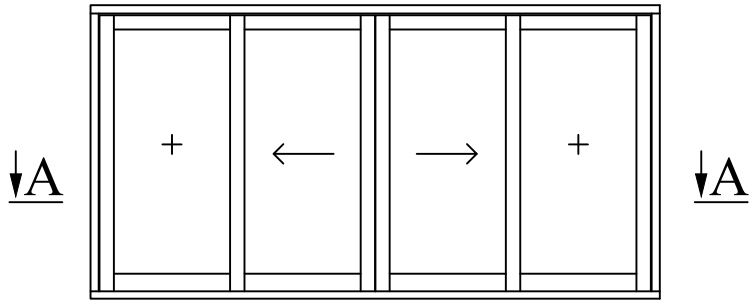


UNI WINDOWS Ltd.
 Unit 6, Edgefield Industrial Est.
 Loanhead, EH20 9TB
 Tel.: 0131 448 3931

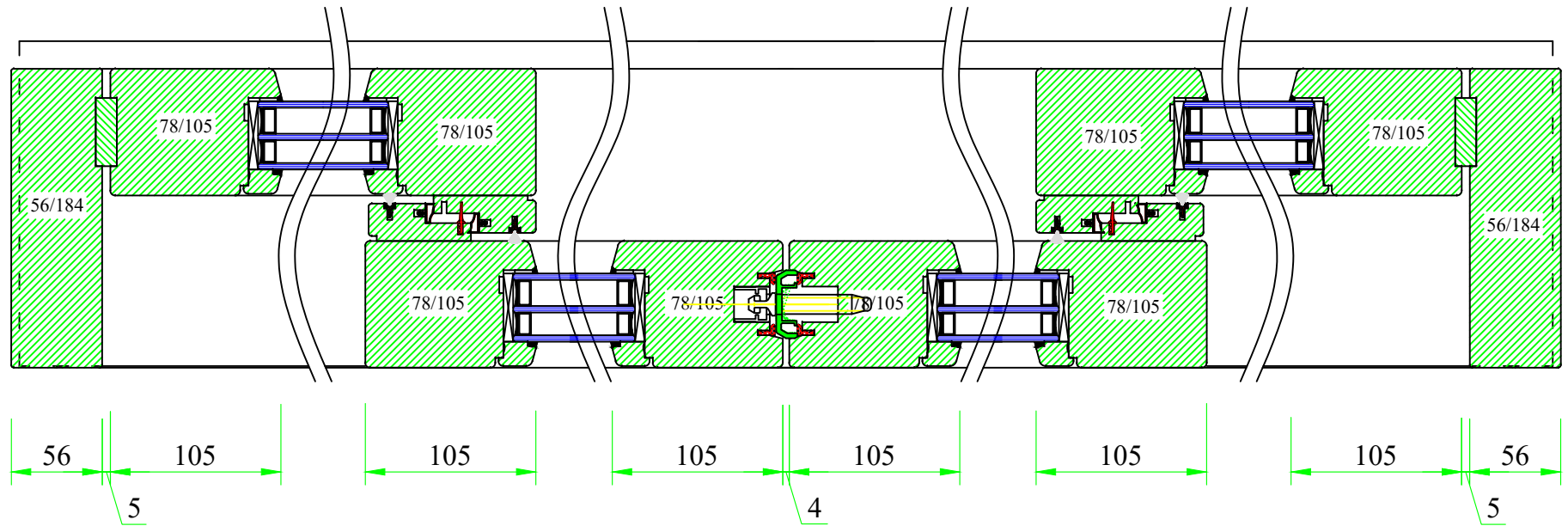
IV78 ECOPLUS
 HS Lift & slide door - horizontal cut

Version: 1	Scale: 1:2
Date: 23.03.17	Drawing: EHS2





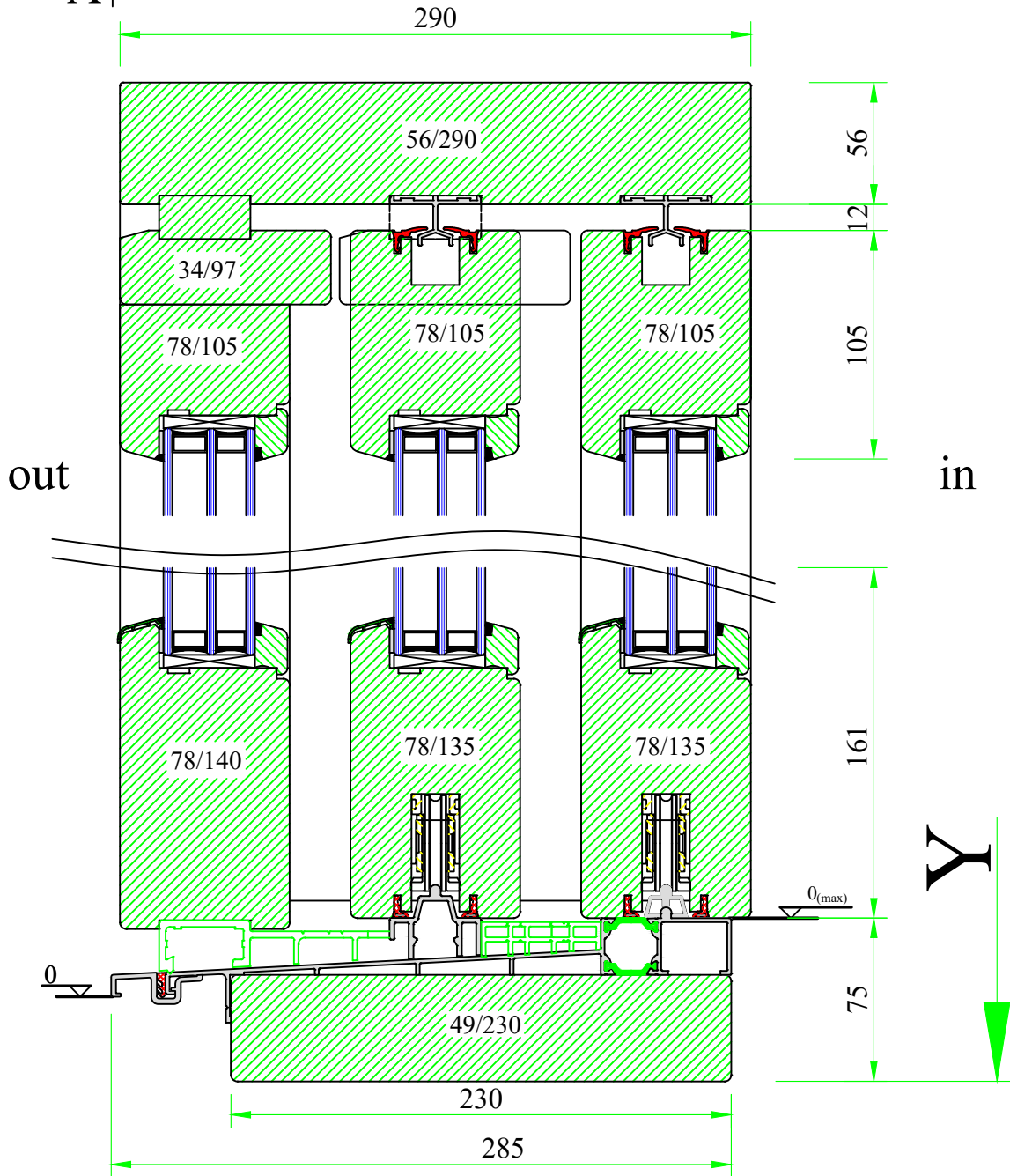
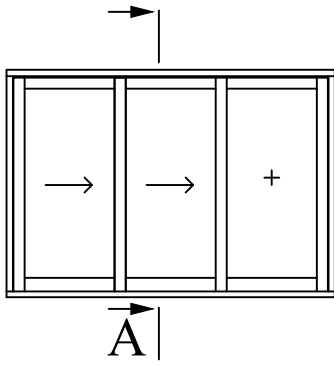
A-A



UNI WINDOWS Ltd.
 Unit 6, Edgefield Industrial Est.
 Loanhead, EH20 9TB
 Tel.: 0131 448 3931

IV78 ECOPLUS
 HS Lift & slide door - horizontal cut - Type C

Version: 1	Scale: 1:4
Date: 23.03.17	Drawing: EHS4



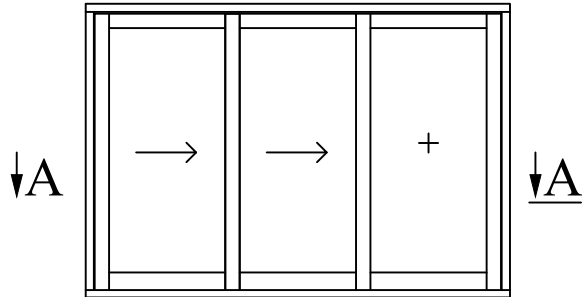
www.uniwin.co.uk



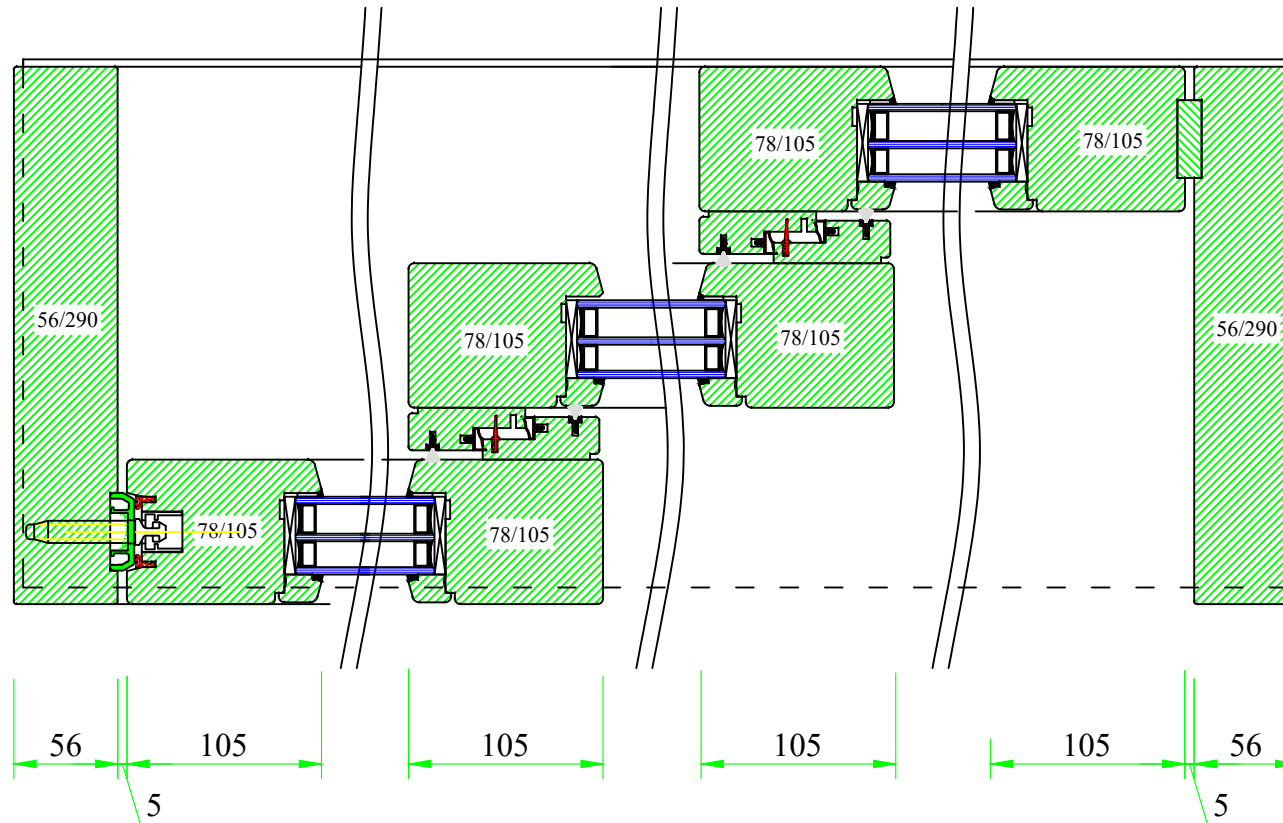
UNI WINDOWS Ltd.
 Unit 6, Edgefield Industrial Est.
 Loanhead, EH20 9TB
 Tel.: 0131 448 3931

IV78 ECOPLUS
 HS Lift & slide door - vertical cut - Type E

Version: 1	Scale: 1:4
Date: 23.03.17	Drawing: EHS5



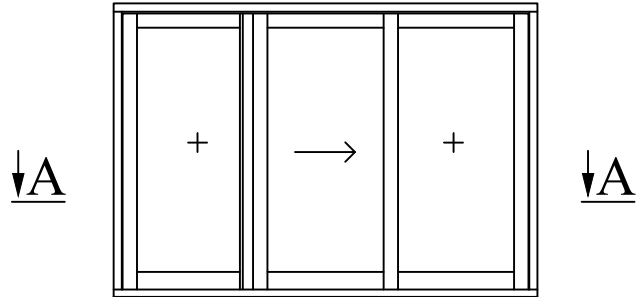
A-A



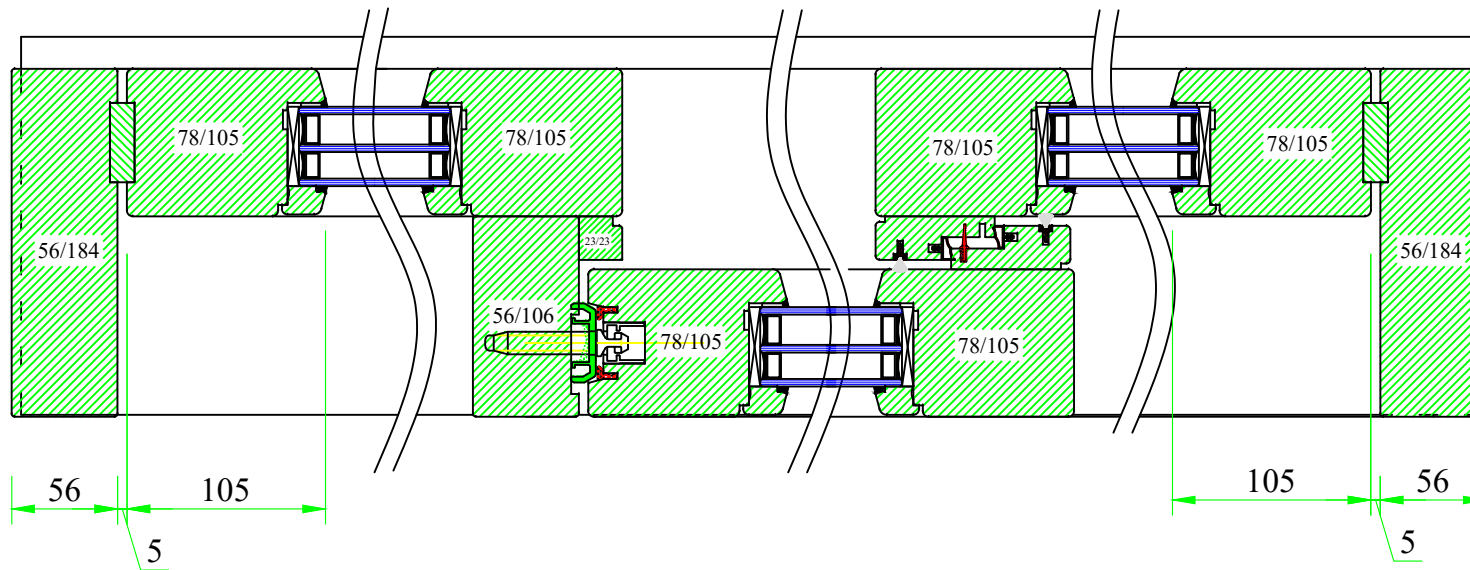
UNI WINDOWS Ltd.
 Unit 6, Edgefield Industrial Est.
 Loanhead, EH20 9TB
 Tel.: 0131 448 3931

IV78 ECOPLUS
 HS Lift & slide door - horizontal cut - Type E

Version: 1	Scale: 1:4
Date: 23.03.17	Drawing: EHS6



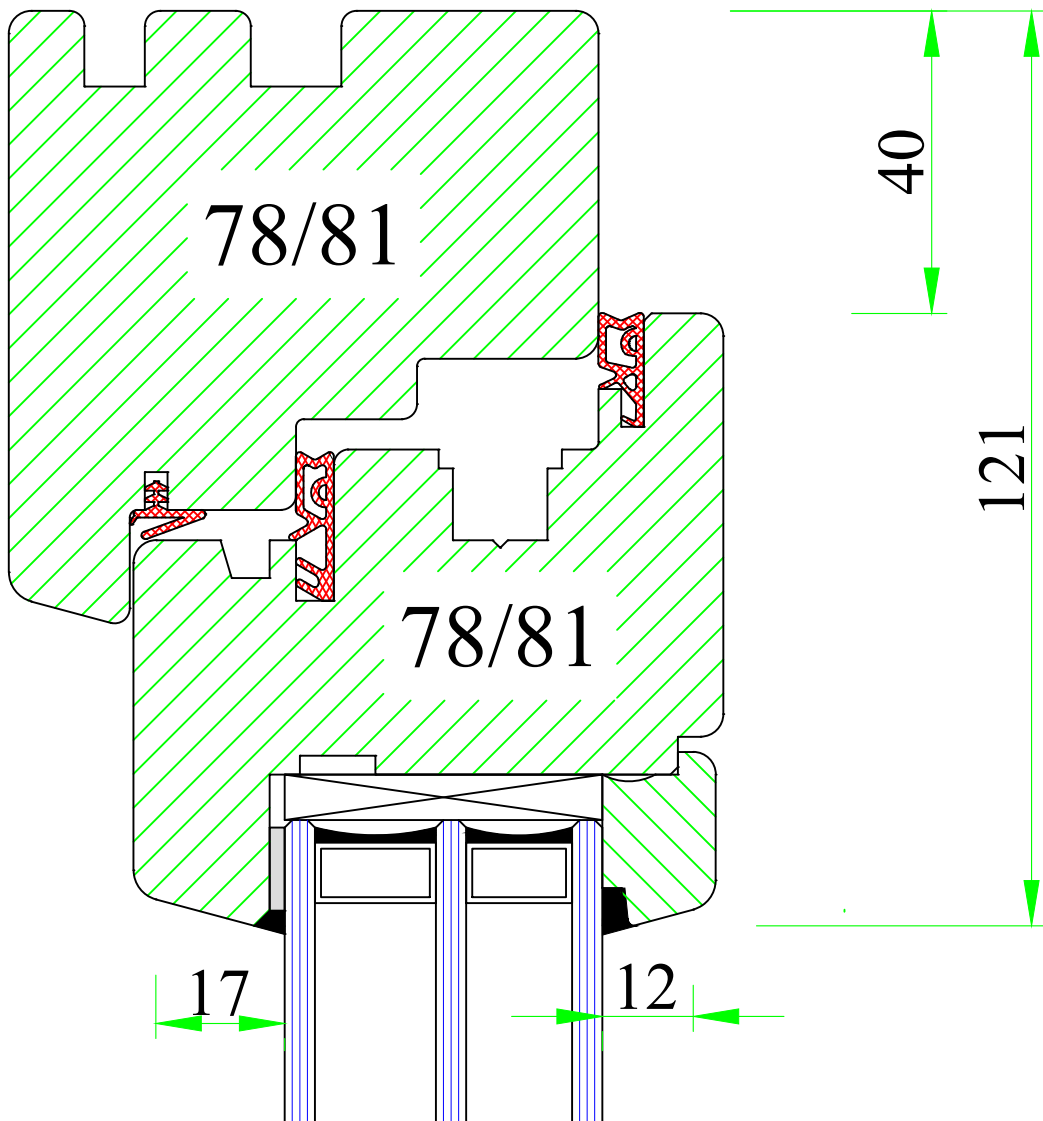
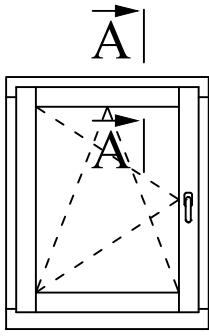
A-A

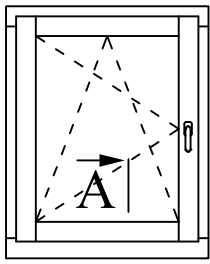


UNI WINDOWS Ltd.
 Unit 6, Edgefield Industrial Est.
 Loanhead, EH20 9TB
 Tel.: 0131 448 3931

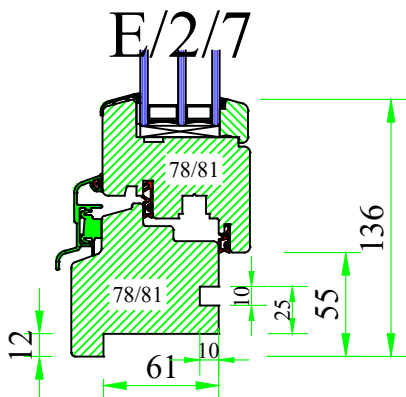
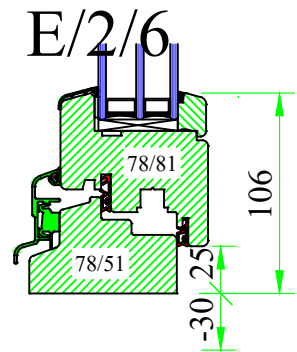
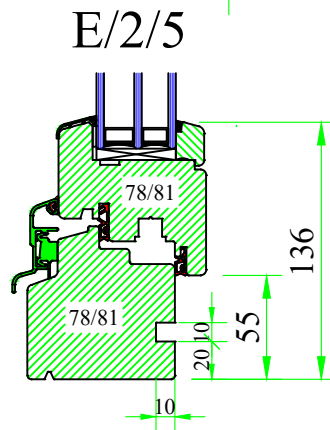
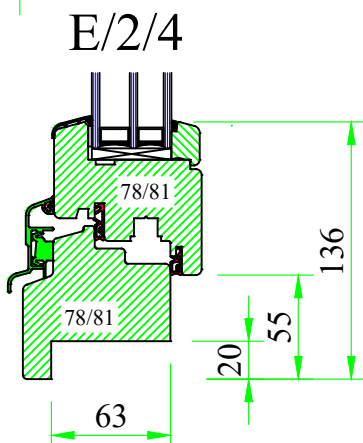
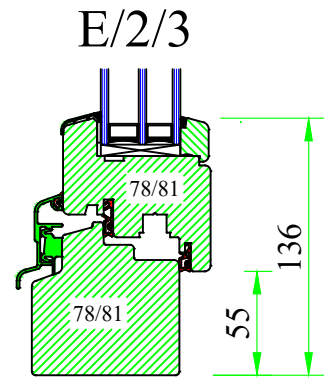
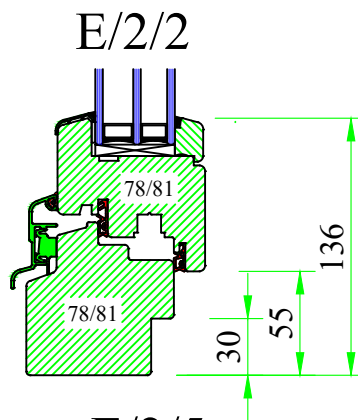
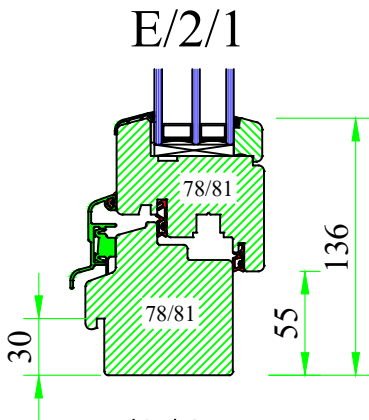
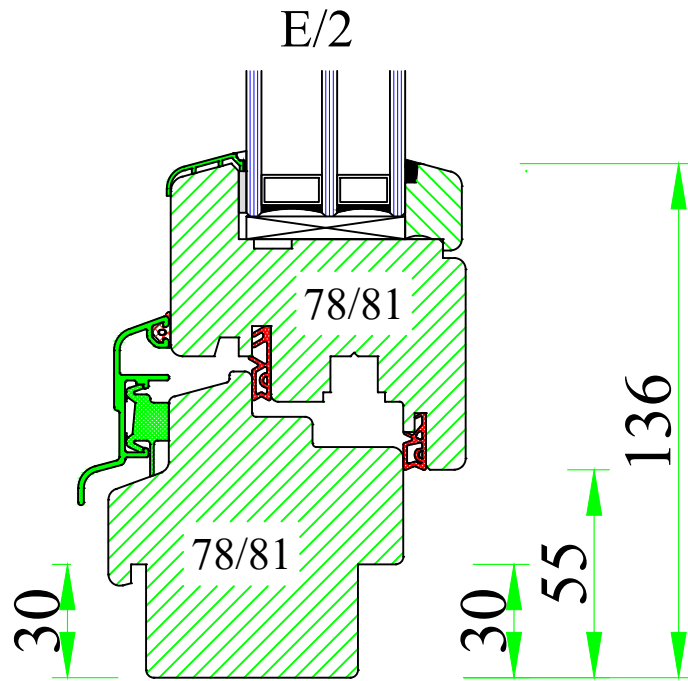
IV78 ECOPLUS
 HS Lift & slide door - horizontal cut - Type G

Version: 1	Scale: 1:4
Date: 23.03.17	Drawing: EHS7





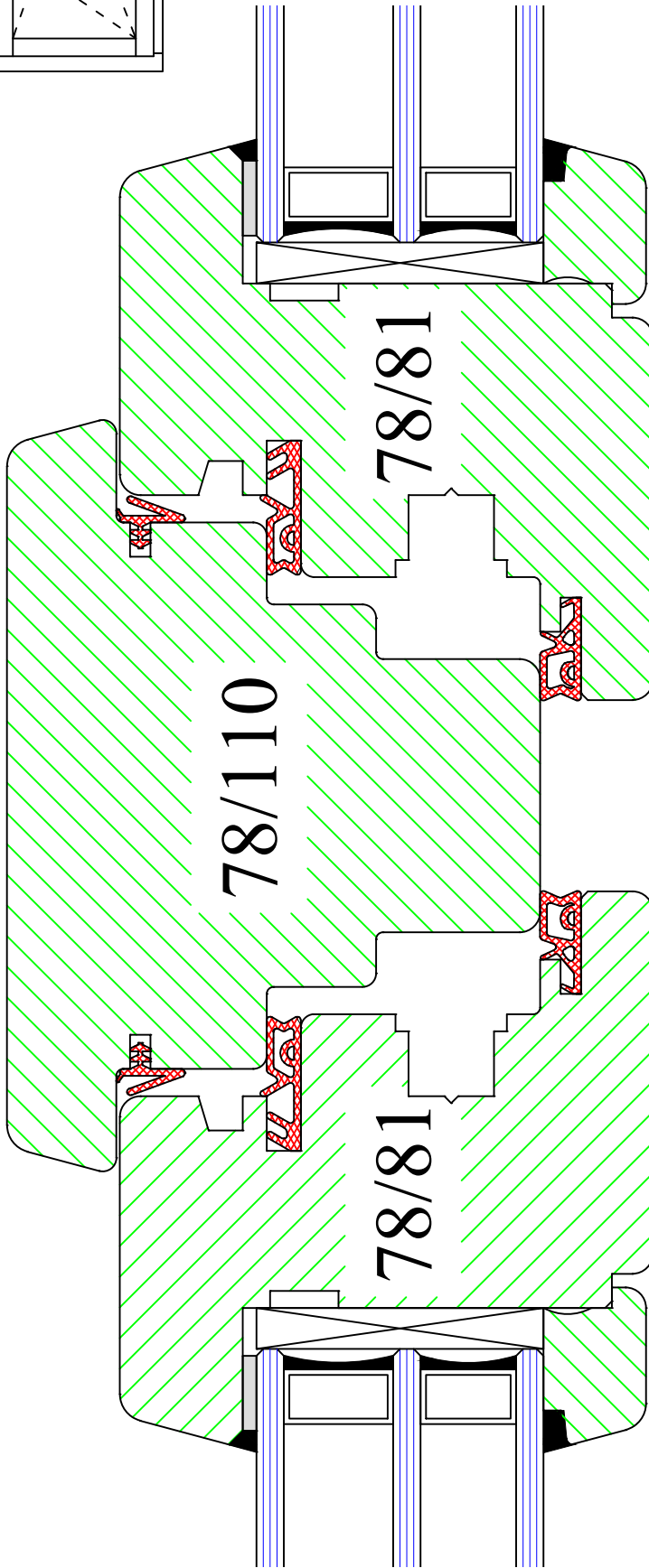
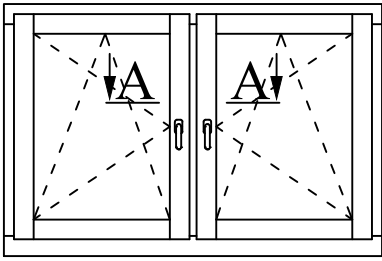
A



UNI WINDOWS Ltd.
 Unit 6, Edgefield Industrial Est.
 Loanhead, EH20 9TB
 Tel.: 0131 448 3931

IV78 ECOPLUS
 Tilt & turn window fframe to sash connection
 Bottom profiles

Version: 1	Scale: 1:2 ~ 1:4
Date: 23.03.17	Drawing: TEMPLAT



28

190



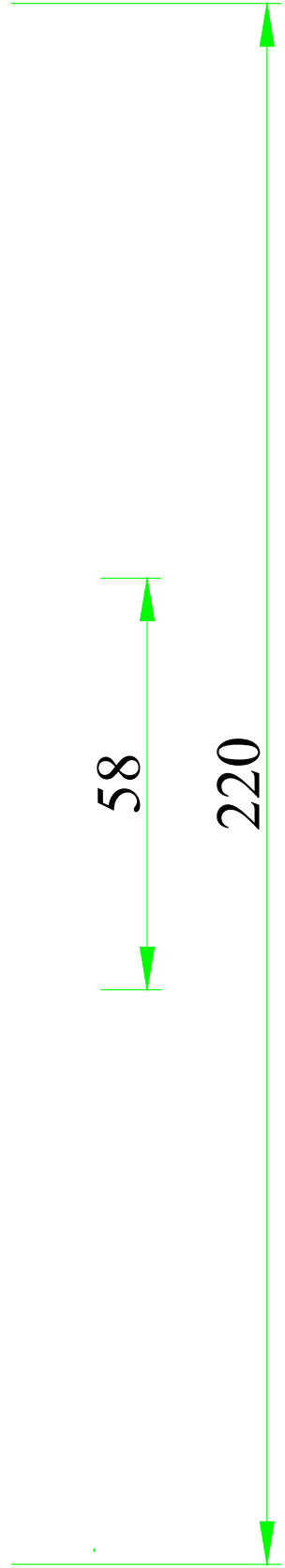
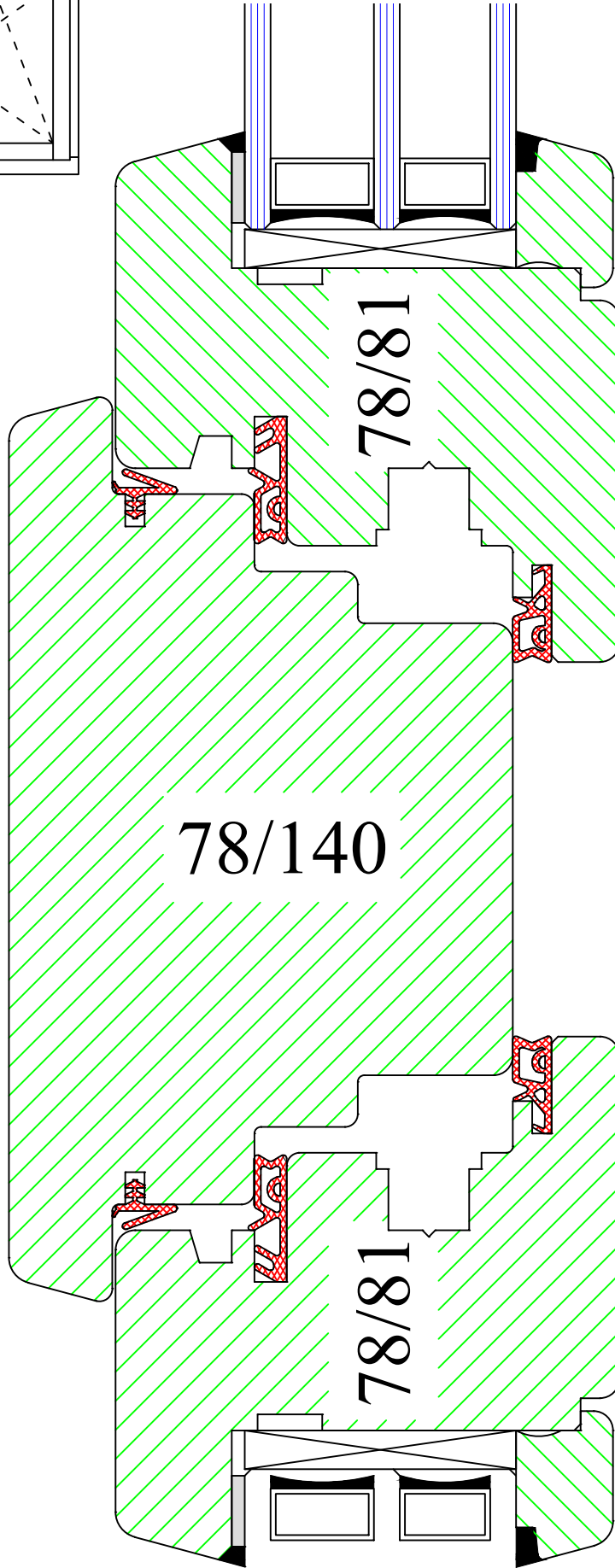
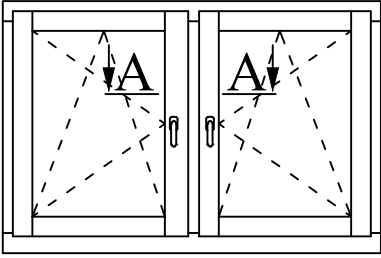
UNI WINDOWS Ltd.
 Unit 6, Edgefield Industrial Est.
 Loanhead, EH20 9TB
 Tel.: 0131 448 3931

Double opening window fixed mullion
 110mm

IV78 ECOPLUS

Version:
1
 Date:
23.03.17

Scale:
1:2
 Drawing:
E3

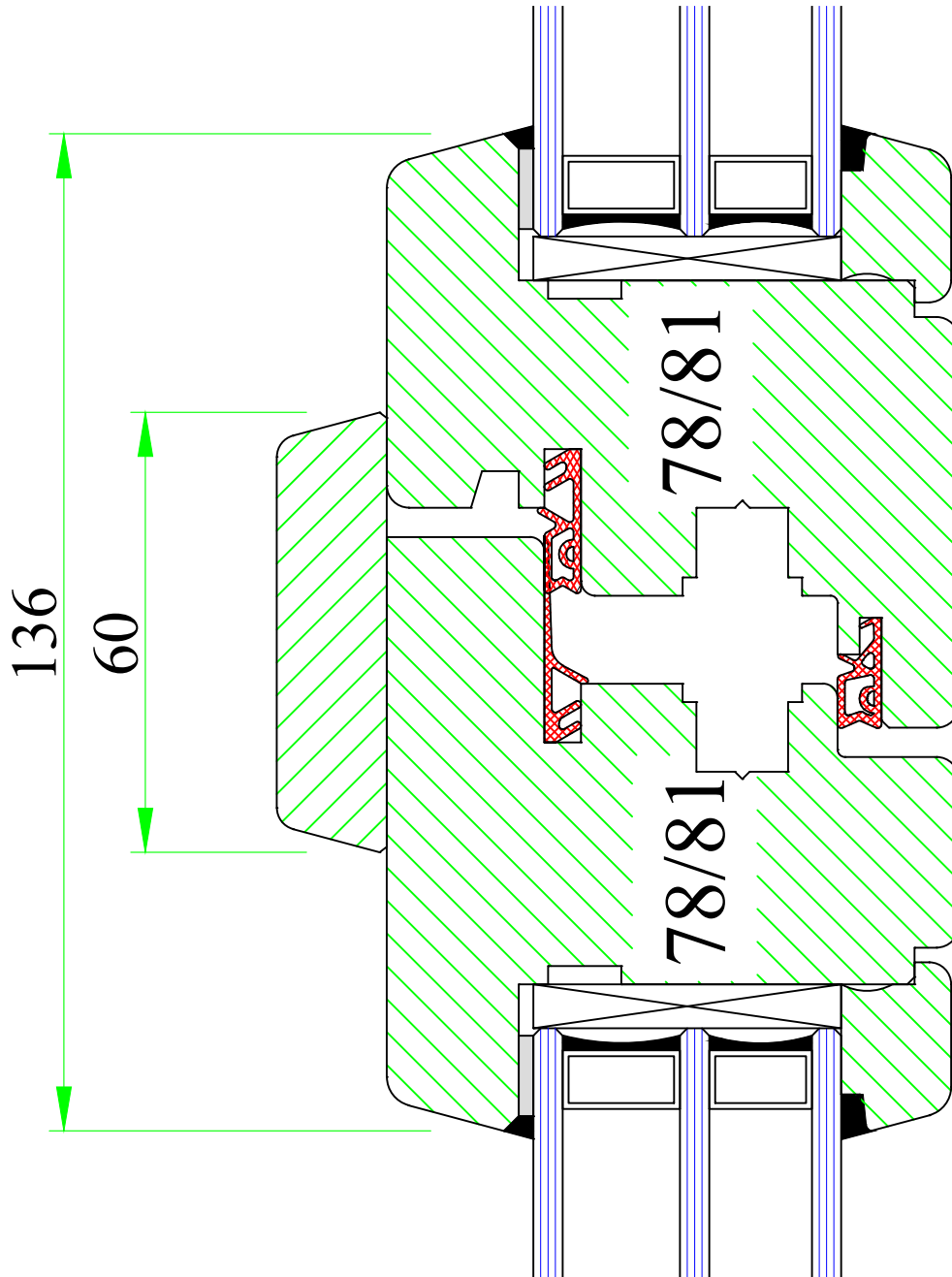
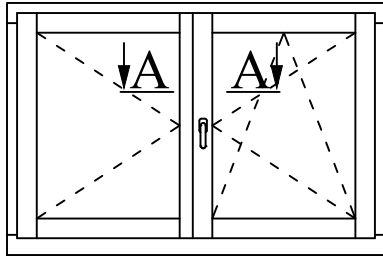


UNI WINDOWS Ltd.
 Unit 6, Edgefield Industrial Est.
 Loanhead, EH20 9TB
 Tel.: 0131 448 3931

IV78 ECOPLUS
 Double opening window fixed mullion
 140mm

Version:
1
 Date:
23.03.17

Scale:
1:1
 Drawing:
E4



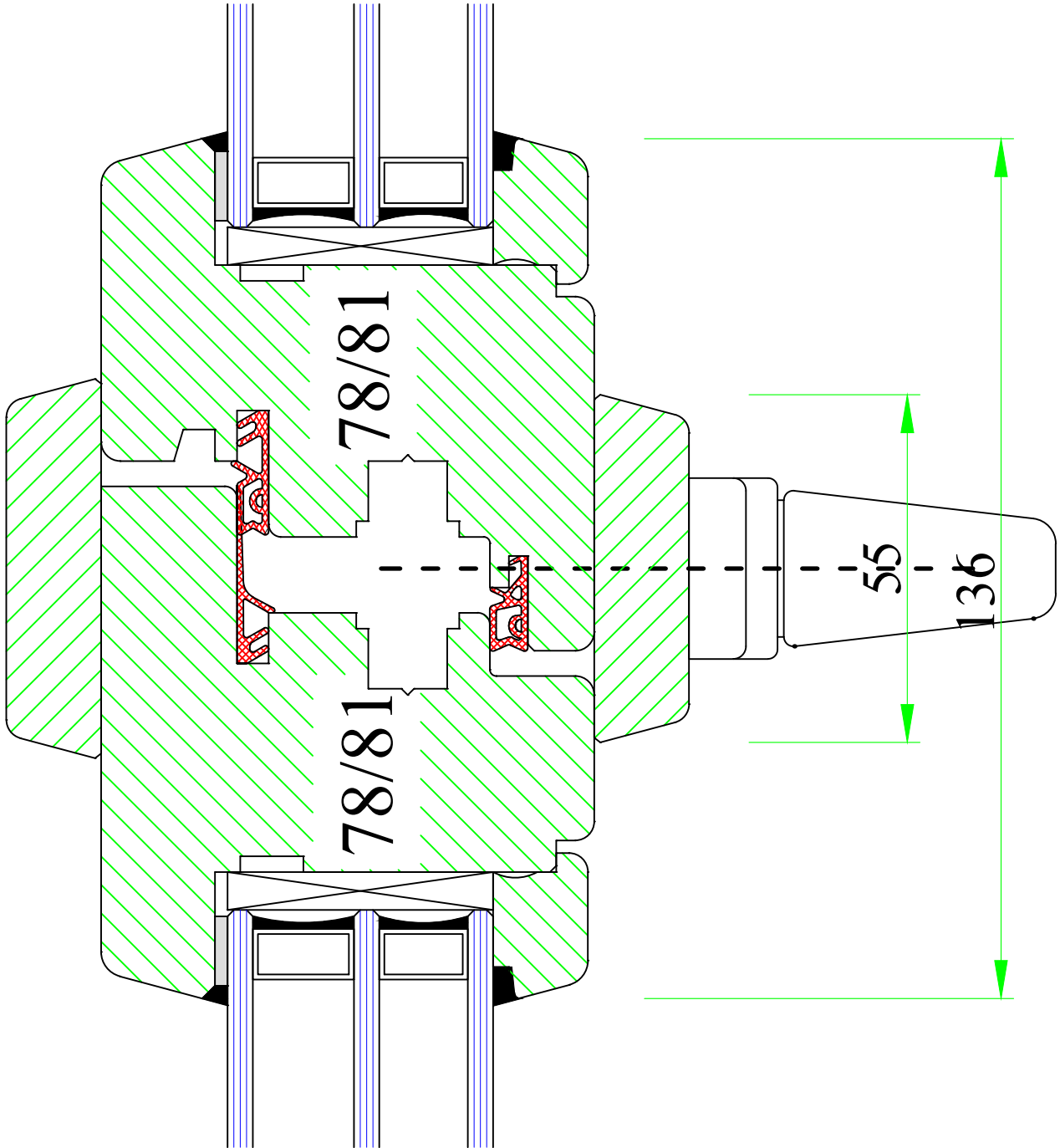
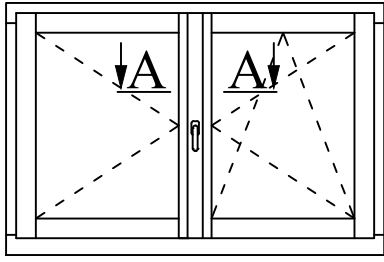
UNI WINDOWS Ltd.
 Unit 6, Edgefield Industrial Est.
 Loanhead, EH20 9TB
 Tel.: 0131 448 3931

Flying mullion

IV78 ECOPLUS

Version:
1
Date:
23.03.17

Scale:
1:1
Drawing:
E5

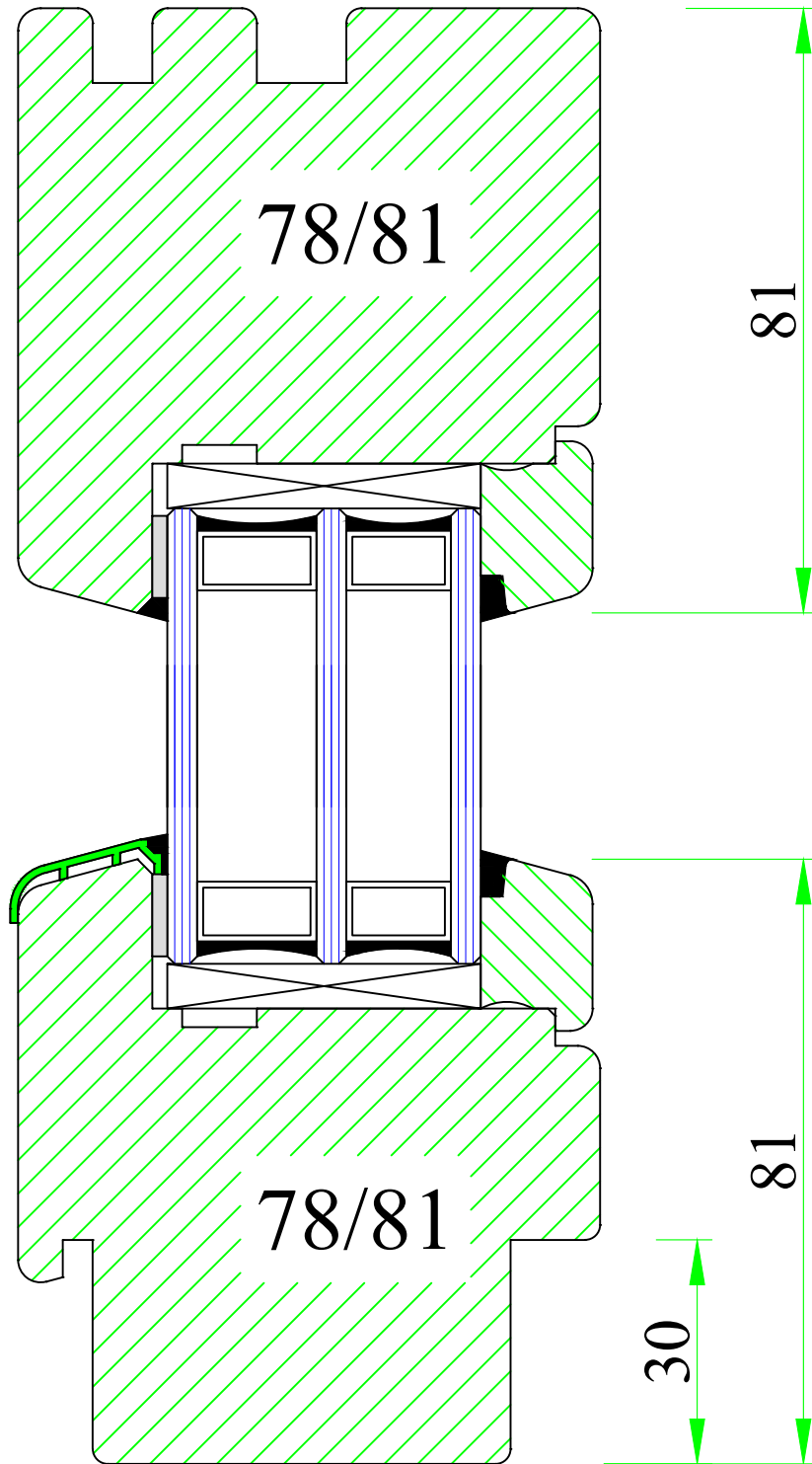
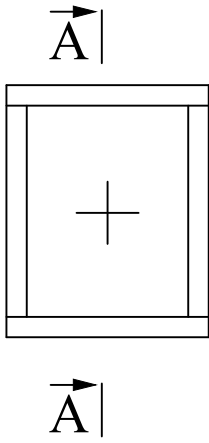


UNI WINDOWS Ltd.
 Unit 6, Edgefield Industrial Est.
 Loanhead, EH20 9TB
 Tel.: 0131 448 3931

IV78 ECOPLUS
 Flying mullion with handle in the middle

Version:
1
 Date:
23.03.17

Scale:
1:1
 Drawing:
E5-1



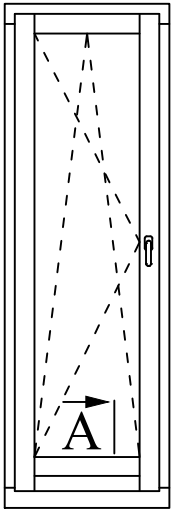
UNI WINDOWS Ltd.
 Unit 6, Edgefield Industrial Est.
 Loanhead, EH20 9TB
 Tel.: 0131 448 3931

Fixed window

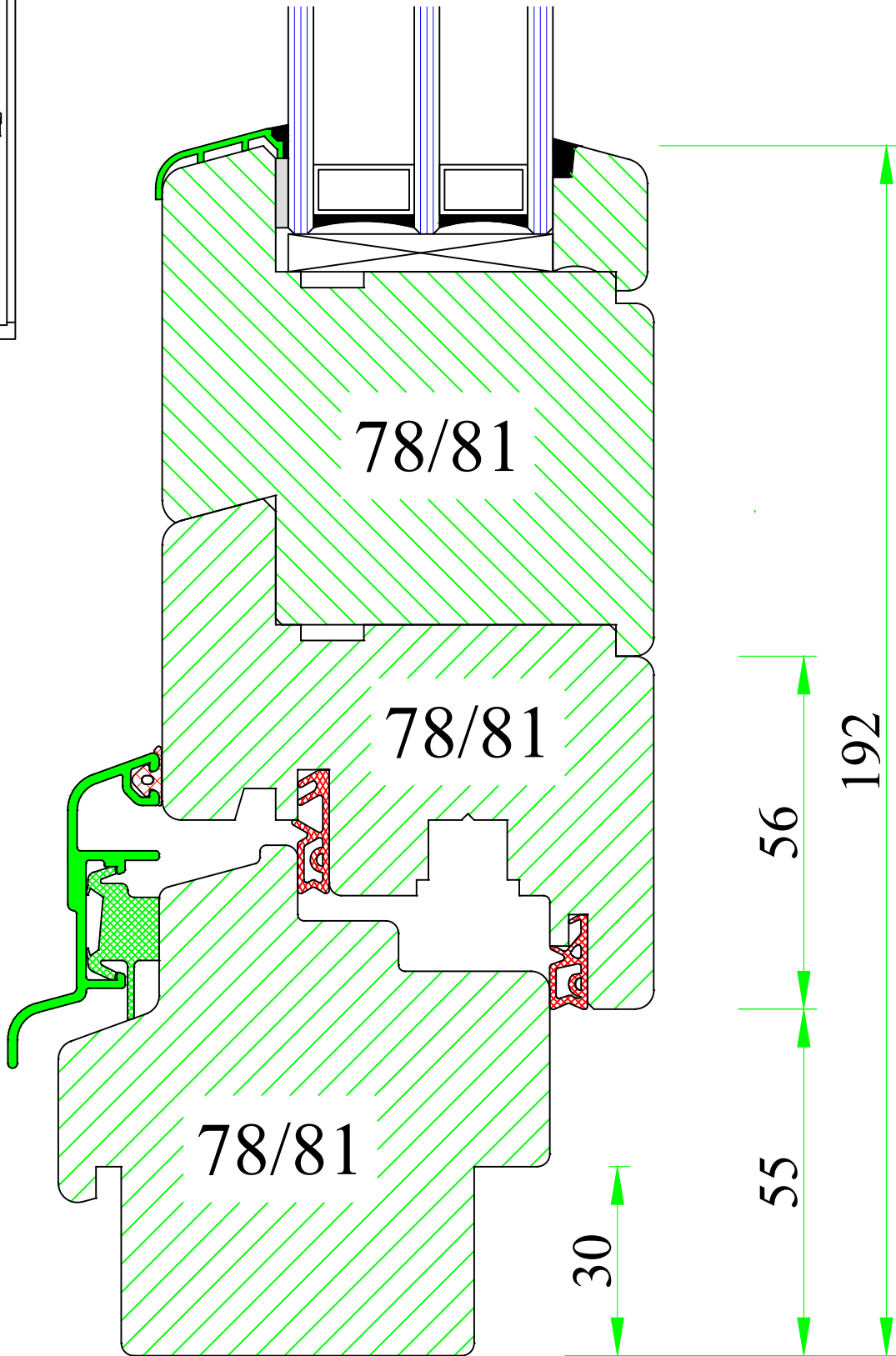
IV78 ECOPLUS

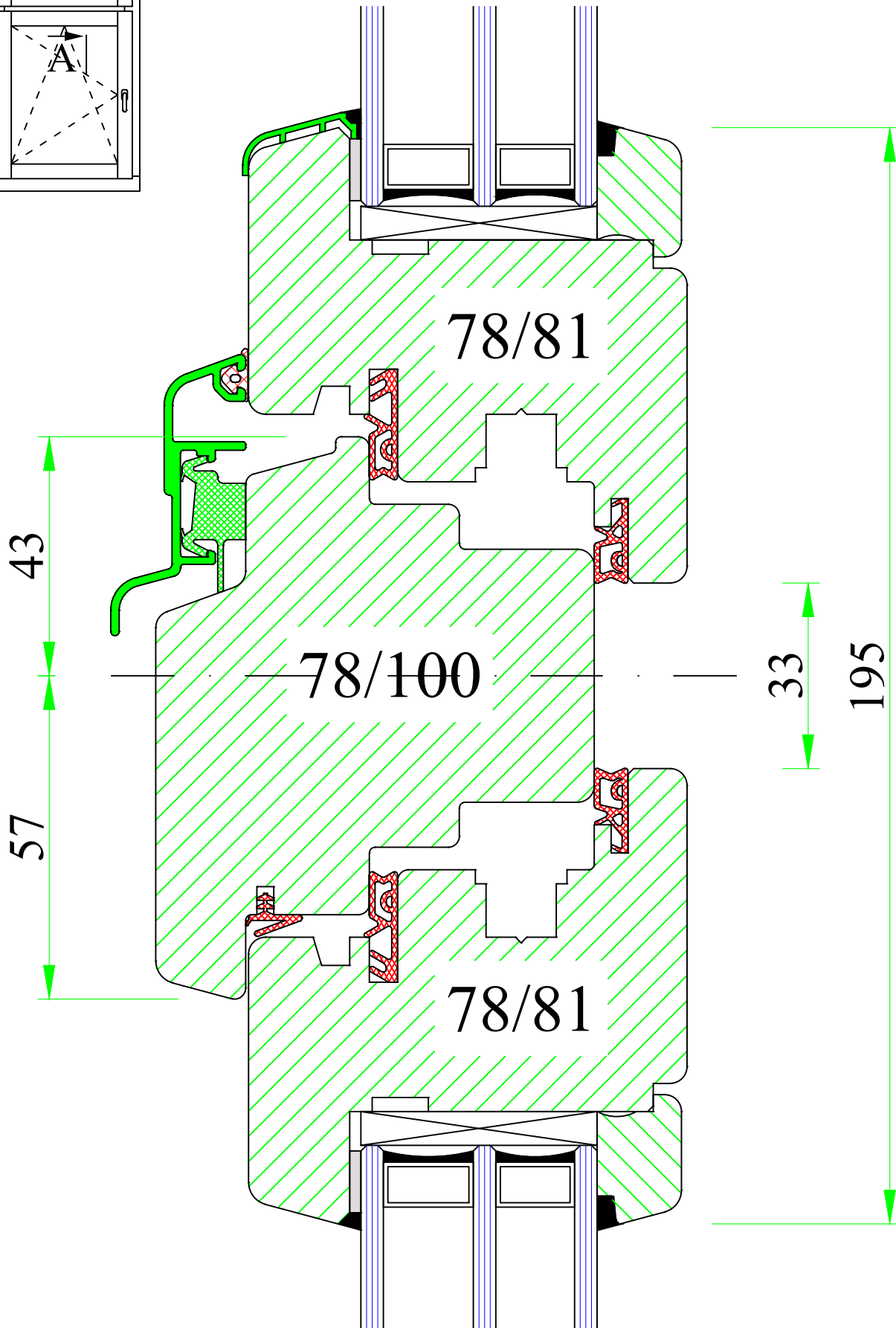
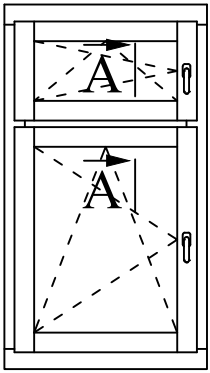
Version:
1
Date:
23.03.17

Scale:
1:1
Drawing:
E6



A



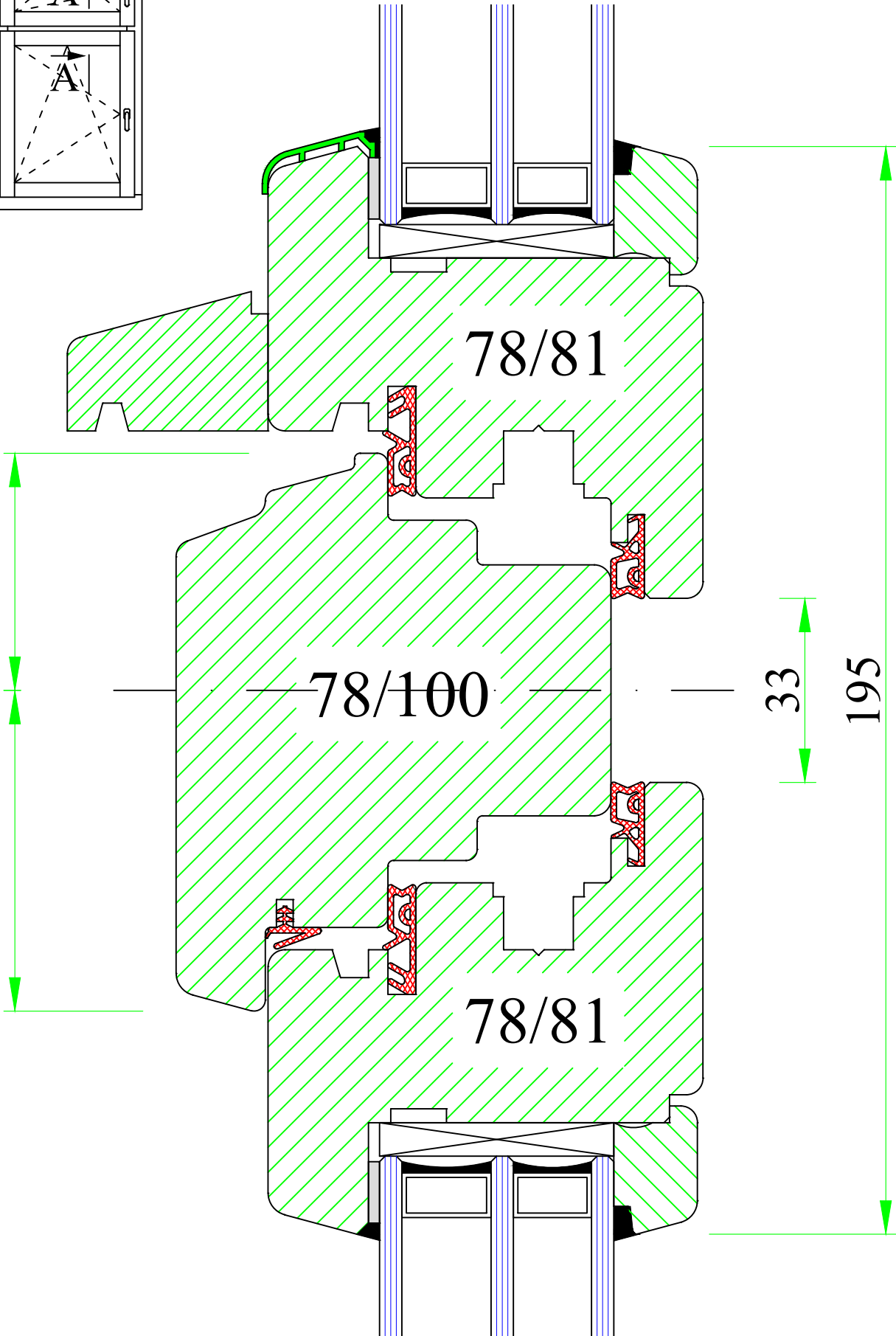
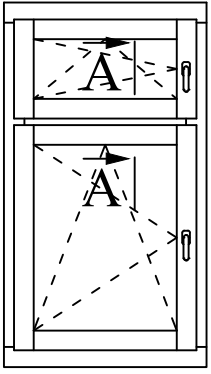


UNI WINDOWS Ltd.
 Unit 6, Edgefield Industrial Est.
 Loanhead, EH20 9TB
 Tel.: 0131 448 3931

IV78 ECOPLUS
 Tilt & turn window with openable top light
 100mm transom

Version:
1
 Date:
23.03.17

Scale:
1:1
 Drawing:
E8



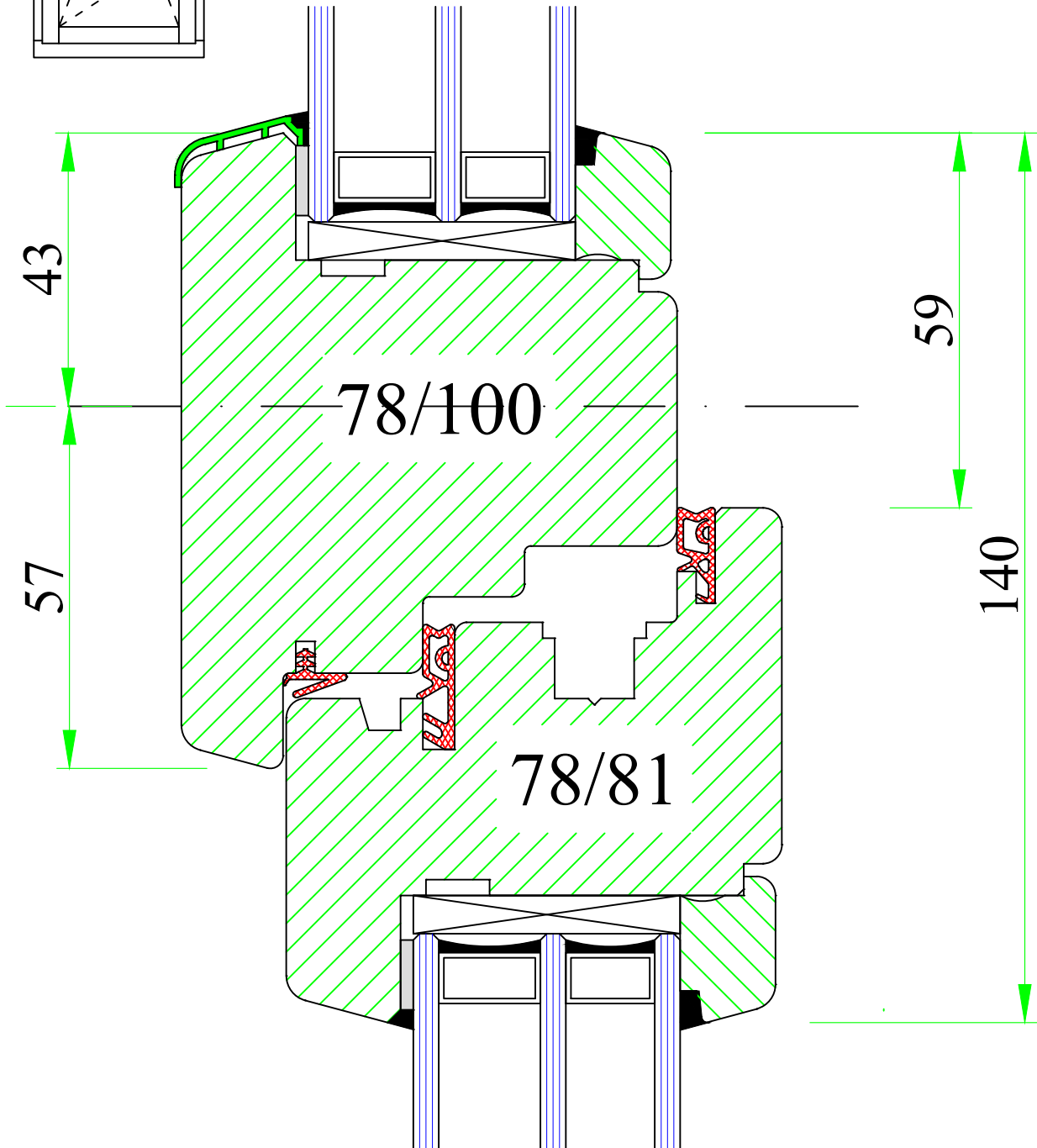
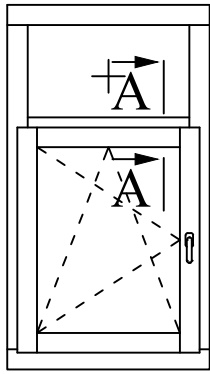
www.uniwin.co.uk

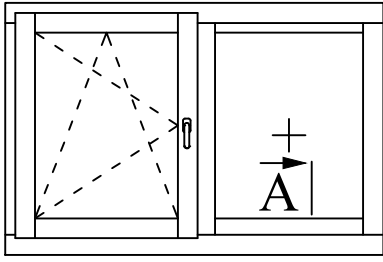


UNI WINDOWS Ltd.
 Unit 6, Edgefield Industrial Est.
 Loanhead, EH20 9TB
 Tel.: 0131 448 3931

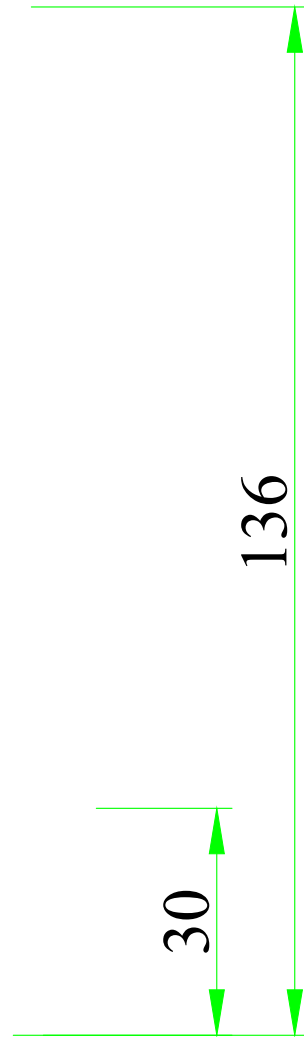
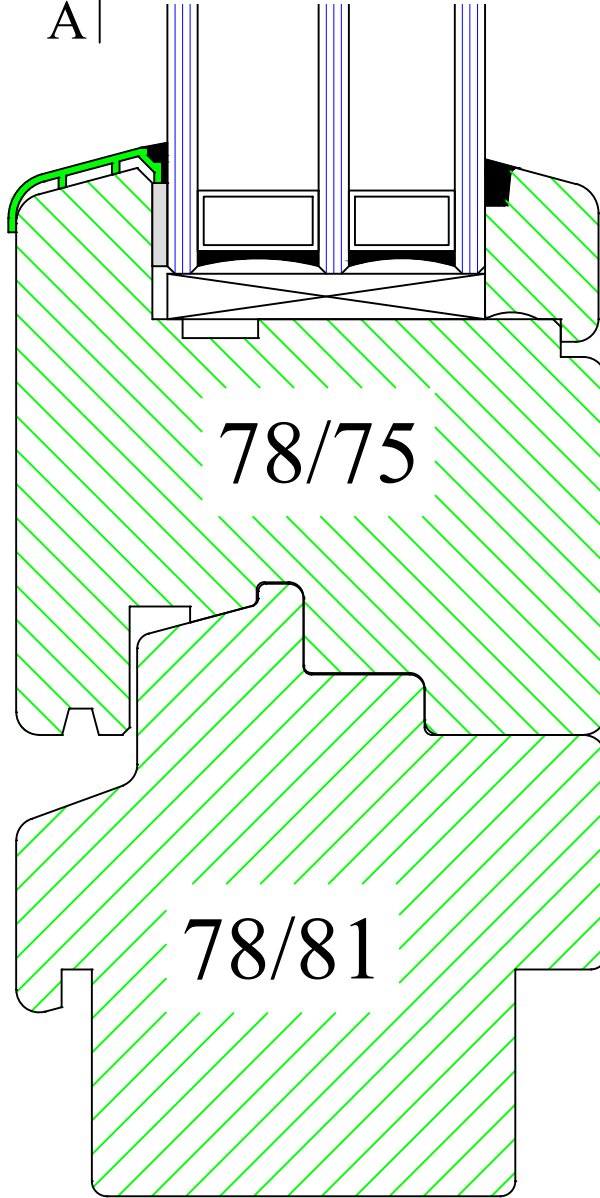
IV78 ECOPLUS
 Tilt & turn window with openable top light
 100mm transom - wooden lip

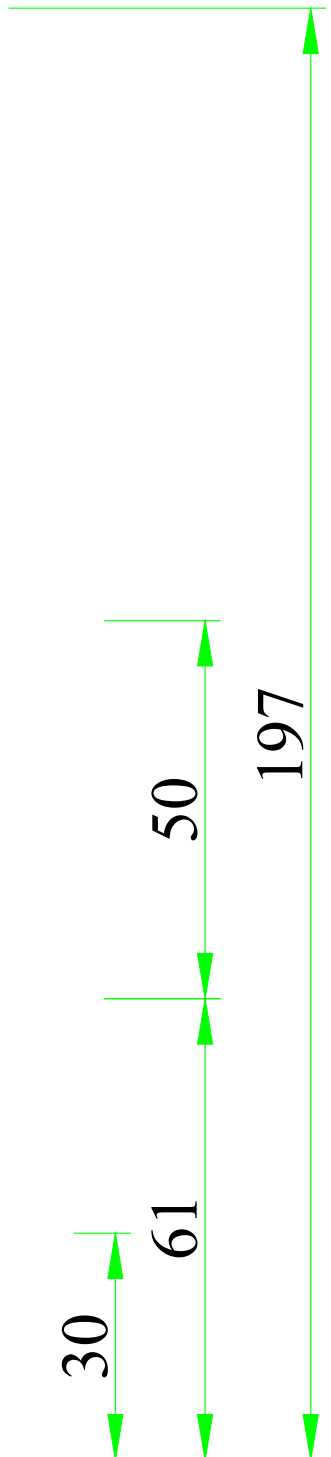
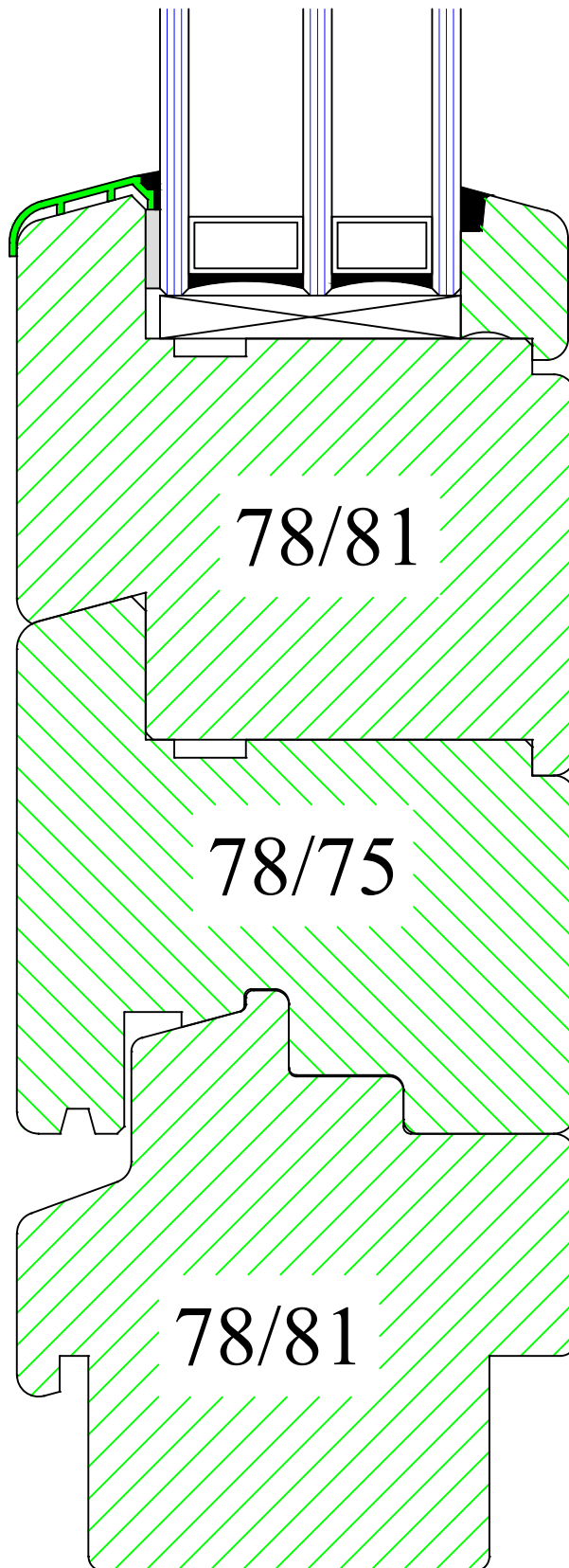
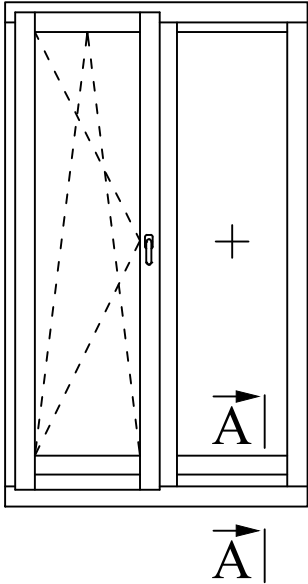
Version: 1	Scale: 1:1
Date: 23.03.17	Drawing: E8-1





A





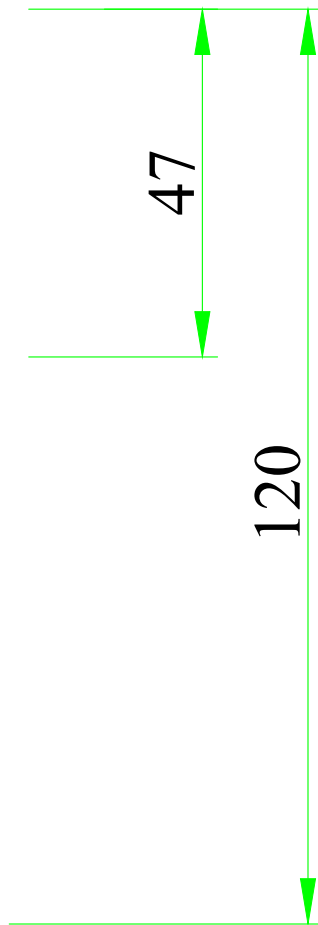
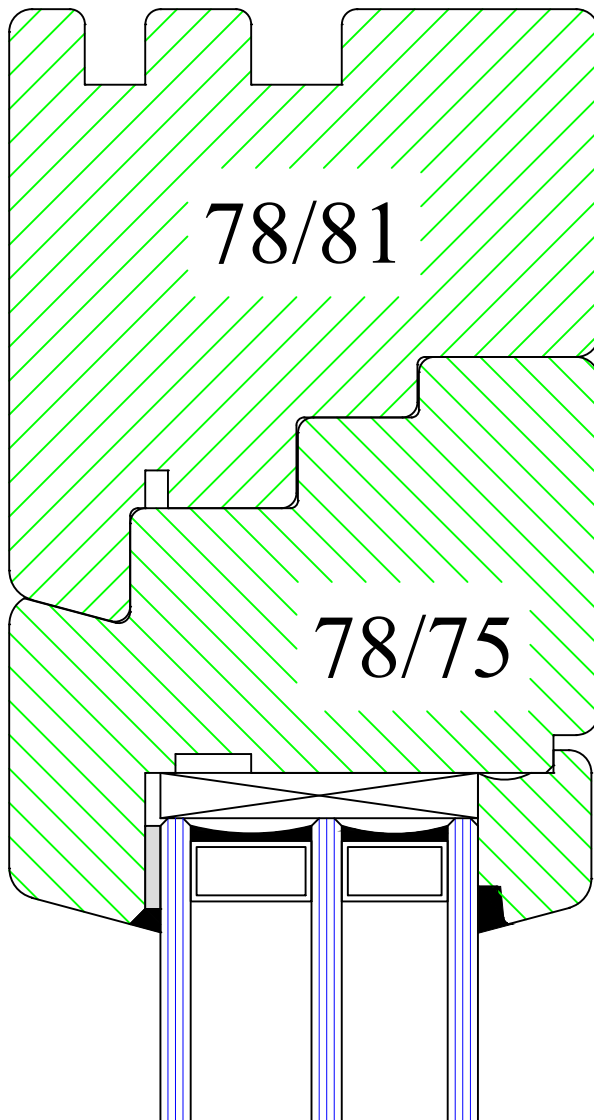
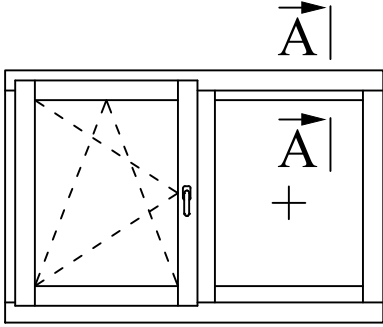
www.uniwin.co.uk

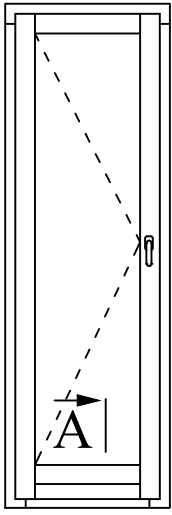


UNI WINDOWS Ltd.
 Unit 6, Edgefield Industrial Est.
 Loanhead, EH20 9TB
 Tel.: 0131 448 3931

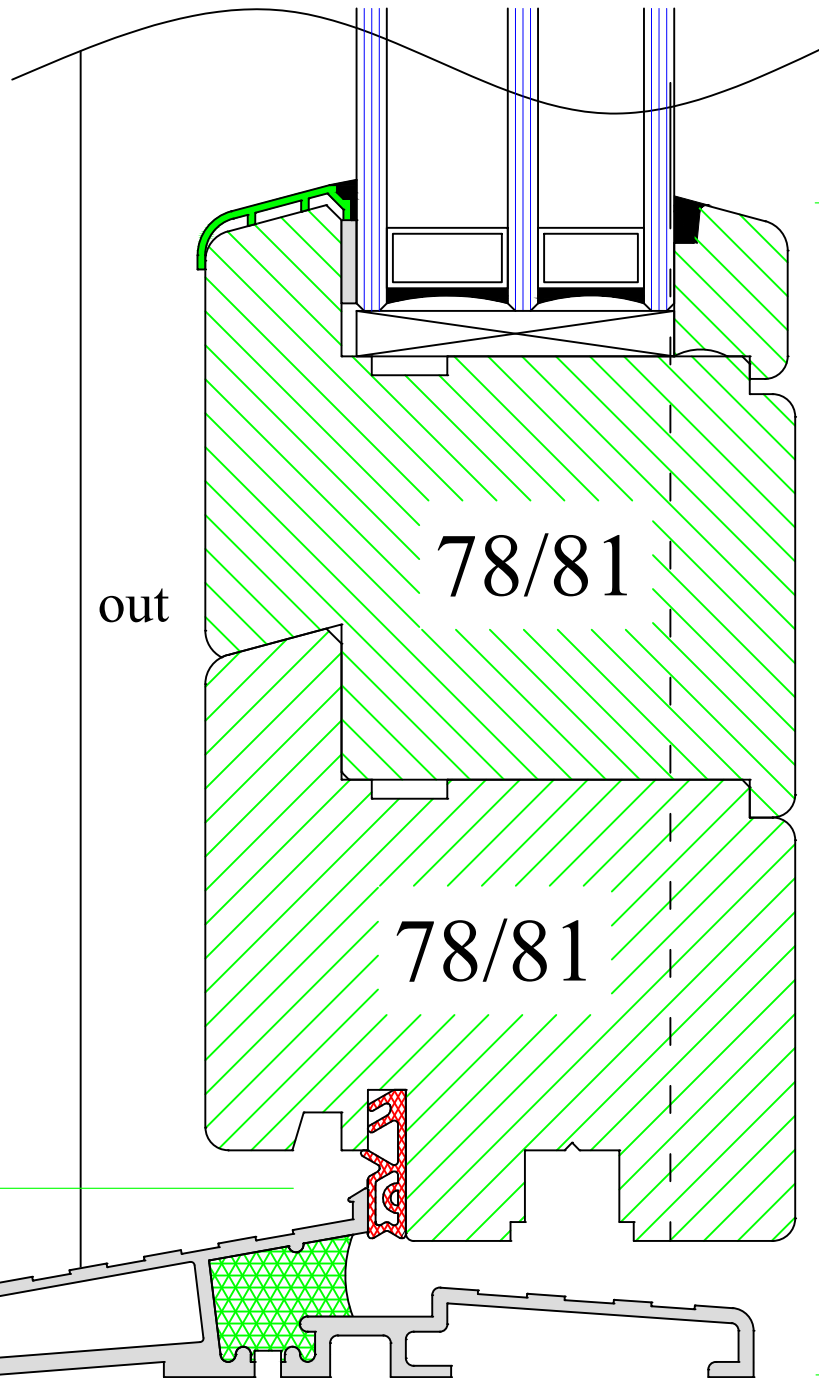
IV78 ECOPLUS
 Balcony door glass line alignment - bottom

Version: 1	Scale: 1:1
Date: 23.03.17	Drawing: E11





A



out

78/81

78/81

155

in

Y

25

0

18

www.uniwin.co.uk



UNI WINDOWS Ltd.
 Unit 6, Edgefield Industrial Est.
 Loanhead, EH20 9TB
 Tel.: 0131 448 3931

Balcony door with aluminium threshold
 DAFA

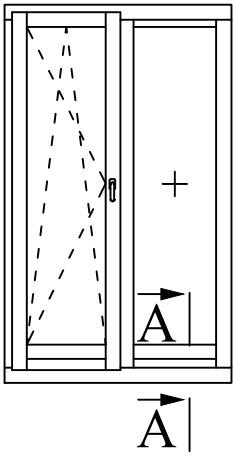
IV78 ECOPLUS

Version:
1

Scale:
1:1

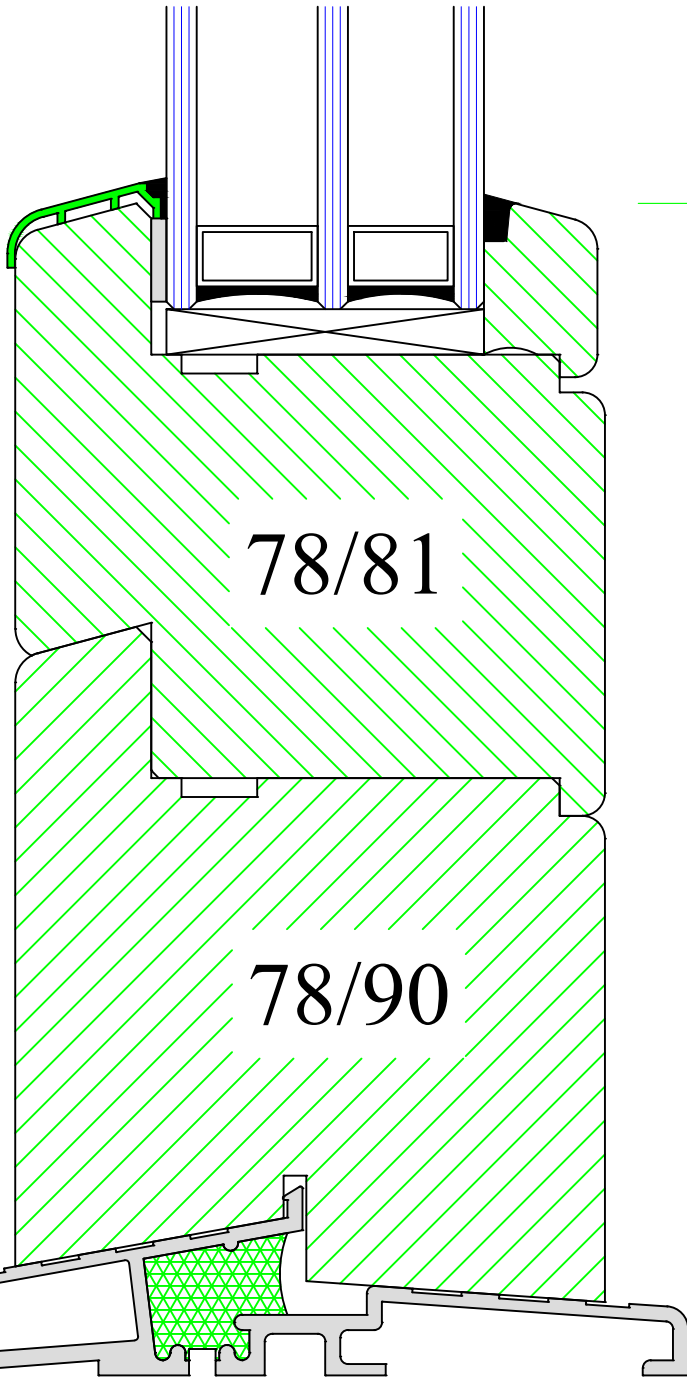
Date:
23.03.17

Drawing:
E13



A

out



in

155

Y

0

www.uniwin.co.uk

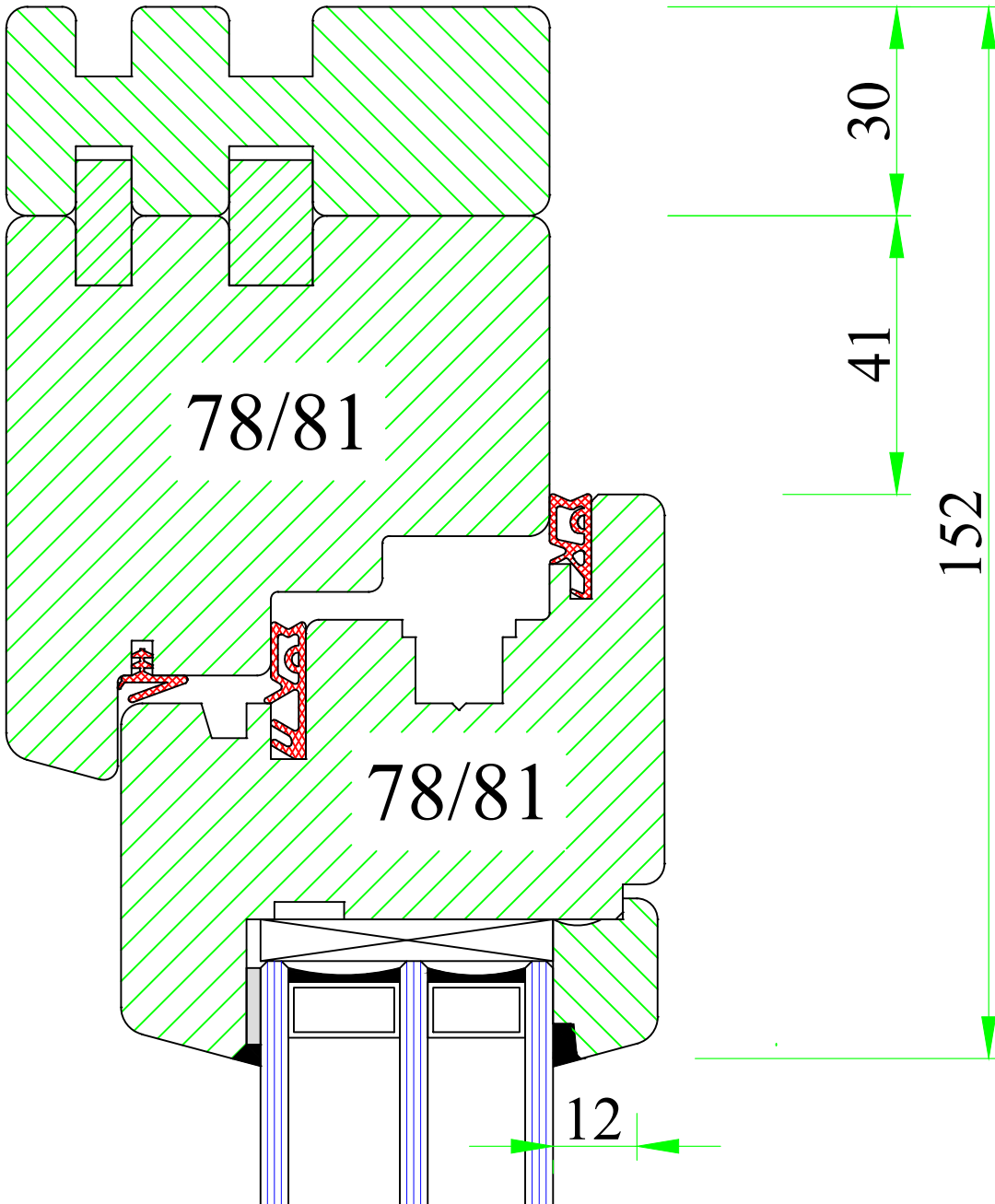
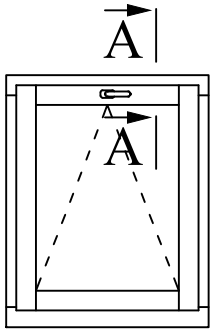


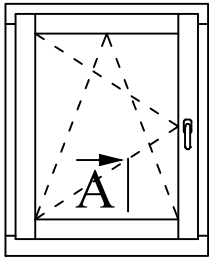
UNI WINDOWS Ltd.
 Unit 6, Edgefield Industrial Est.
 Loanhead, EH20 9TB
 Tel.: 0131 448 3931

IV78 ECOPLUS
 Balcony door - fix glass line fit

Version:
1
 Date:
23.03.17

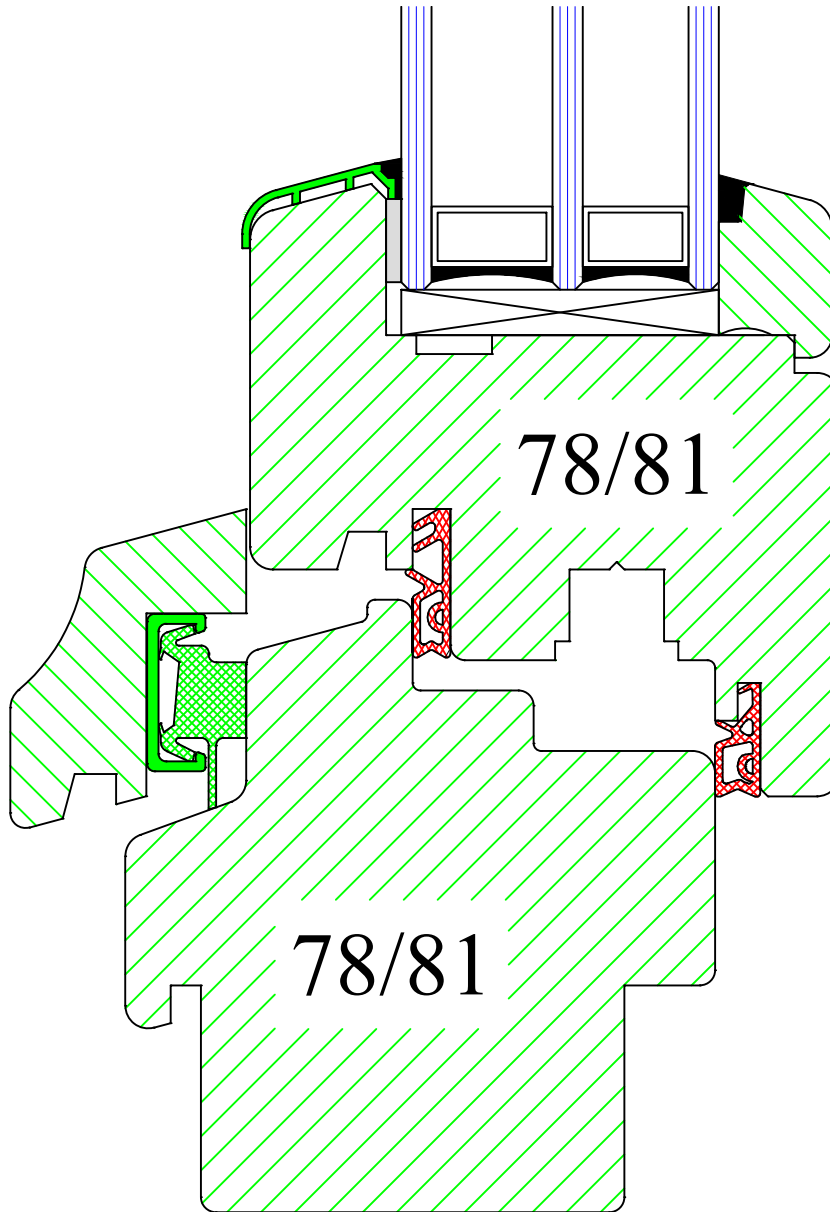
Scale:
1:1
 Drawing:
E13-1

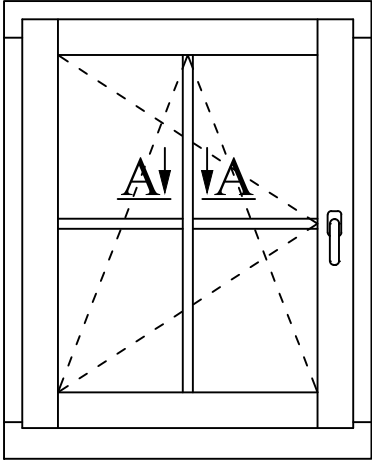




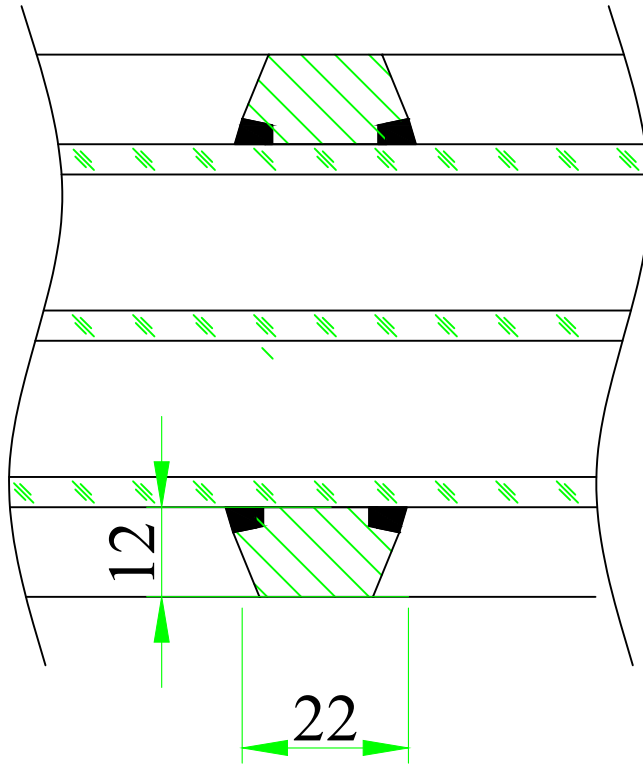
A

42

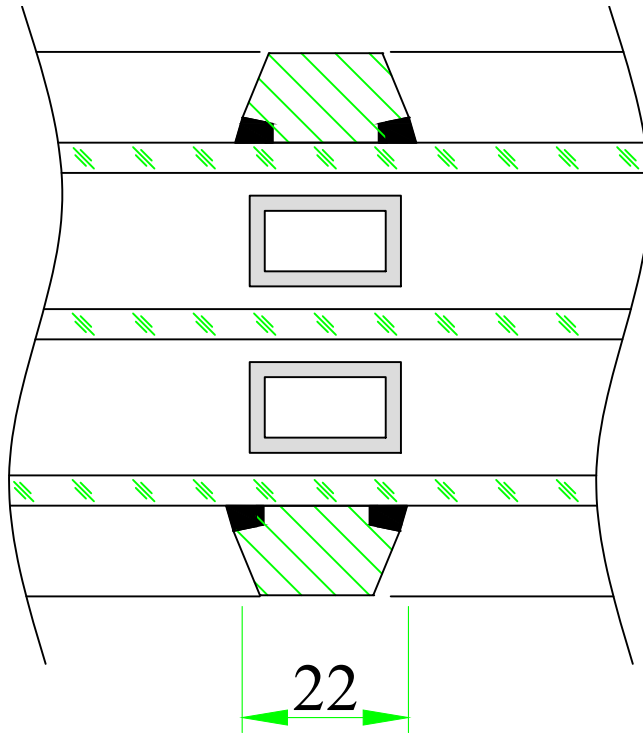




E/16



E/16/1



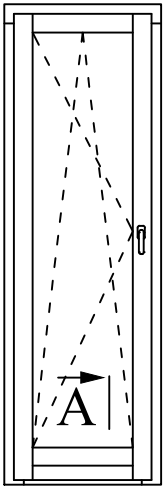
UNI WINDOWS Ltd.
 Unit 6, Edgefield Industrial Est.
 Loanhead, EH20 9TB
 Tel.: 0131 448 3931

Georgian bar

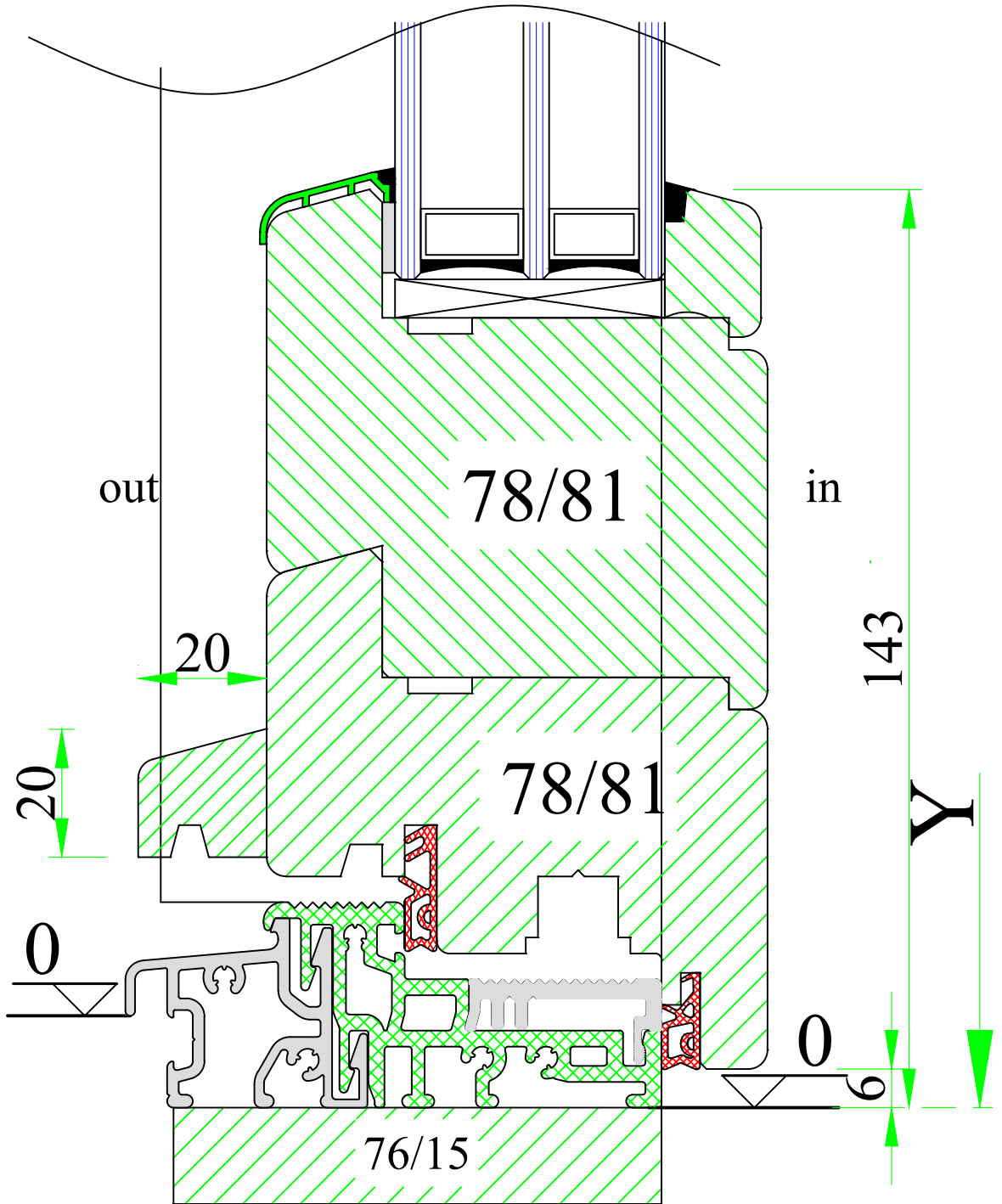
IV78 ECOPLUS

Version:
1
Date:
23.03.17

Scale:
1:1
Drawing:
E16



A



Wesser 84/32 TI

www.uniwin.co.uk

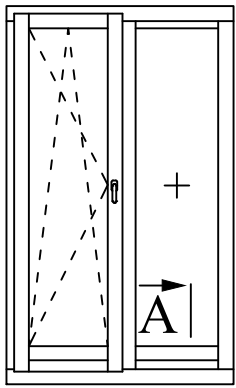


UNI WINDOWS Ltd.
 Unit 6, Edgefield Industrial Est.
 Loanhead, EH20 9TB
 Tel.: 0131 448 3931

IV78 ECOPLUS
 Balkony door with aluminium threshold
 Wesser New

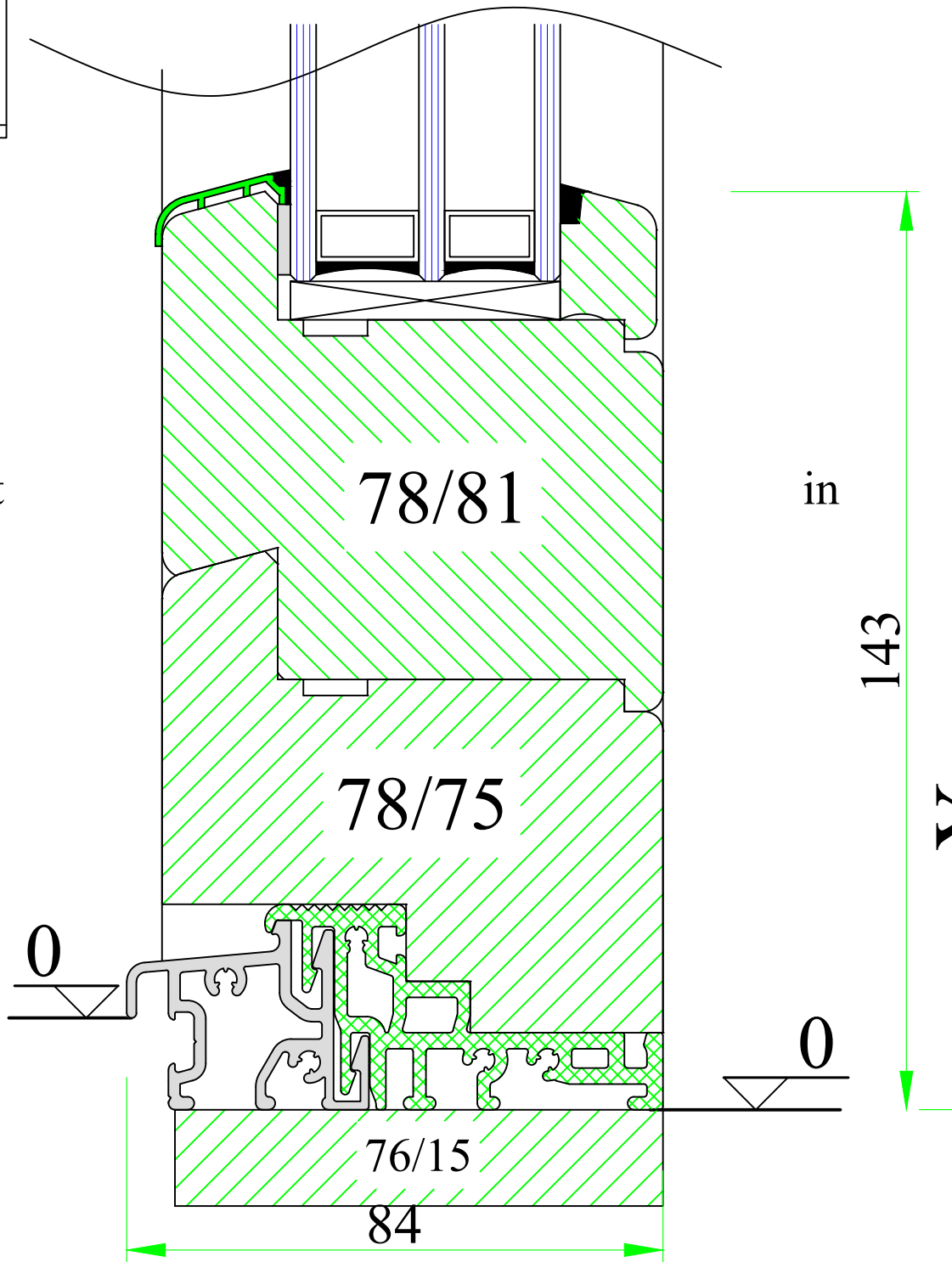
Version:
1
 Date:
23.03.17

Scale:
1:1
 Drawing:
E17



A

out



78/81

in

143

78/75

Y

0

0

76/15

84

www.uniwin.co.uk

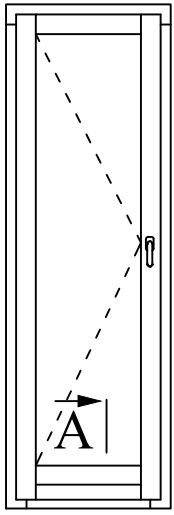


UNI WINDOWS Ltd.
 Unit 6, Edgefield Industrial Est.
 Loanhead, EH20 9TB
 Tel.: 0131 448 3931

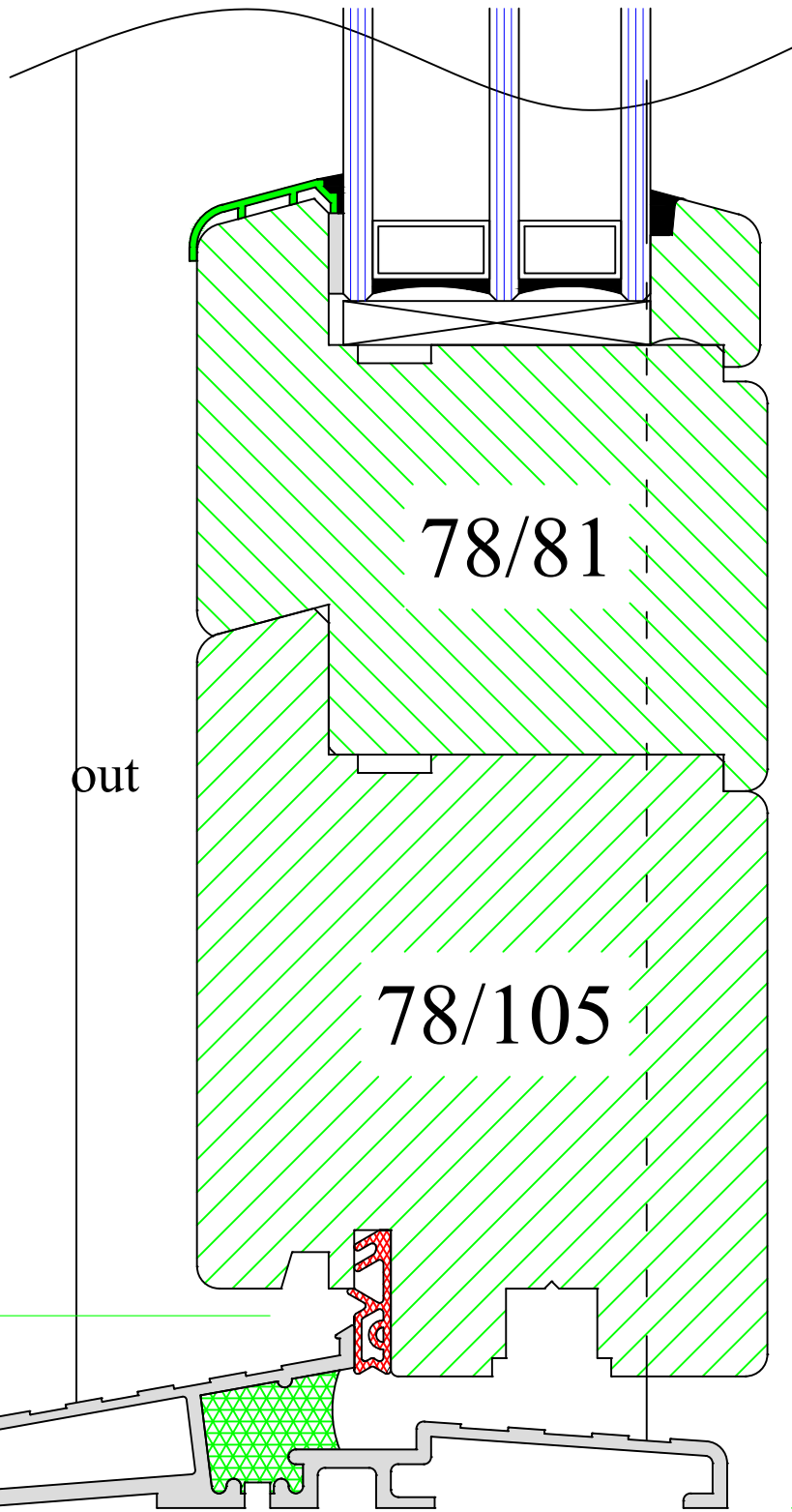
IV78 ECOPLUS
 Balcony door - side fix light line alignment
 with aluminium threshold Wesser New

Version:
1
 Date:
23.03.17

Scale:
1:1
 Drawing:
E17-1



A



179 in

Y

18

www.uniwin.co.uk

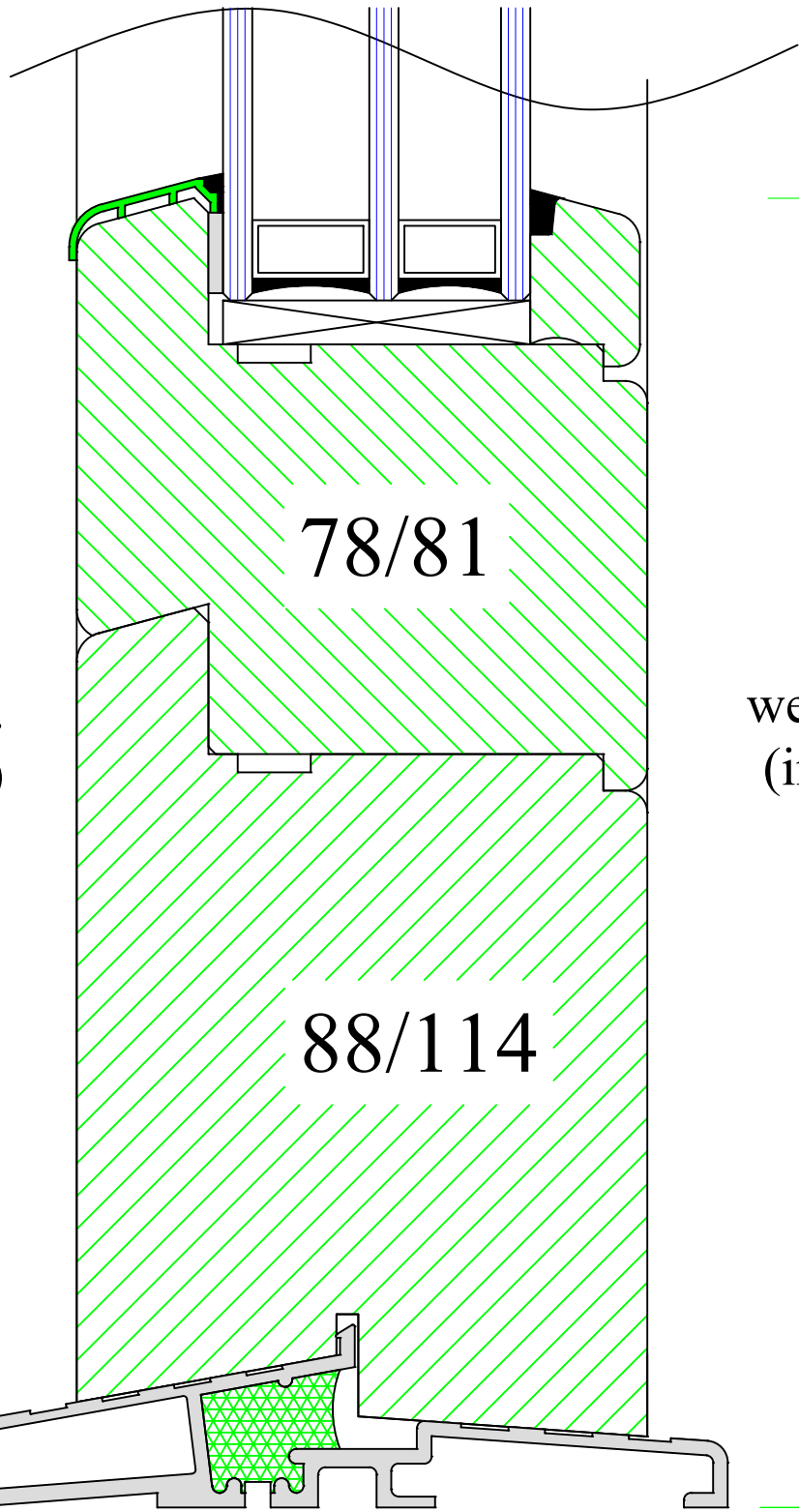
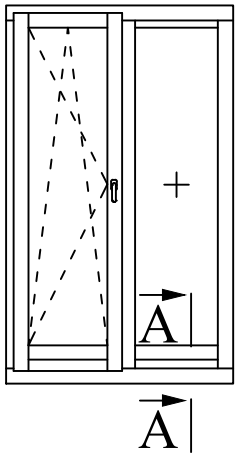


UNI WINDOWS Ltd.
 Unit 6, Edgefield Industrial Est.
 Loanhead, EH20 9TB
 Tel.: 0131 448 3931

IV78 ECOPLUS
 French door with aluminium threshold |
 DAFA

Version:
 1
 Date:
 23.03.17

Scale:
 1:1
 Drawing:
 E18



zew.
(out)

wew.
(in)

179

Y

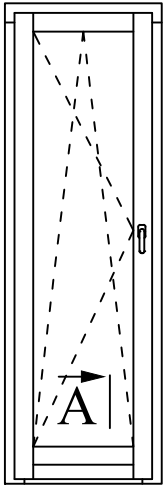
www.uniwin.co.uk



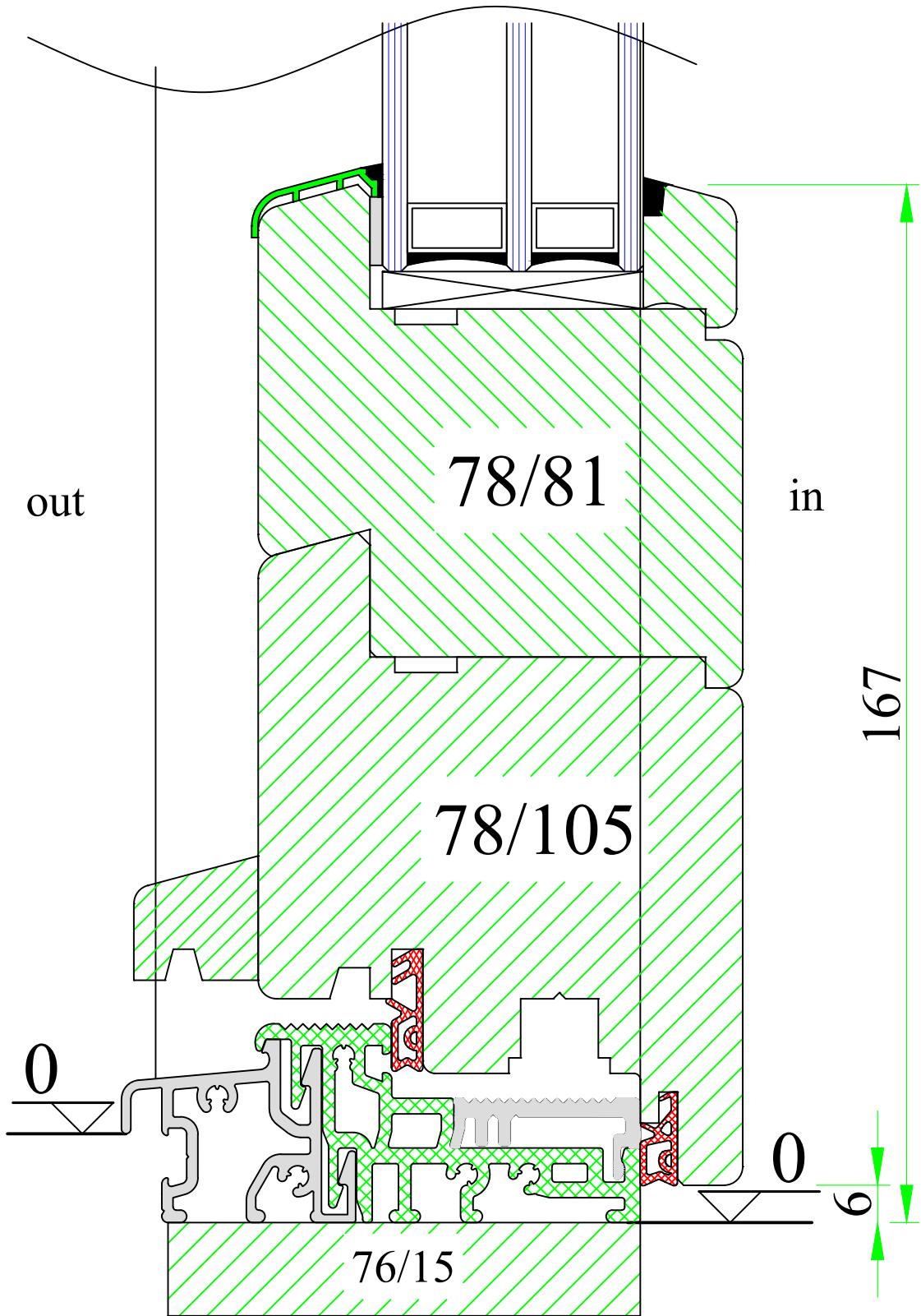
UNI WINDOWS Ltd.
Unit 6, Edgefield Industrial Est.
Loanhead, EH20 9TB
Tel.: 0131 448 3931

IV78 ECOPLUS
French door - side fix light line alignment
with aluminium threshold DAFA

Version: 1	Scale: 1:1
Date: 23.03.17	Drawing: E18-1



A



www.uniwin.co.uk

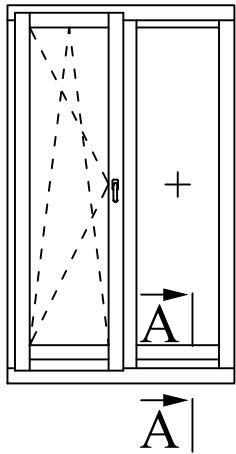


UNI WINDOWS Ltd.
 Unit 6, Edgefield Industrial Est.
 Loanhead, EH20 9TB
 Tel.: 0131 448 3931

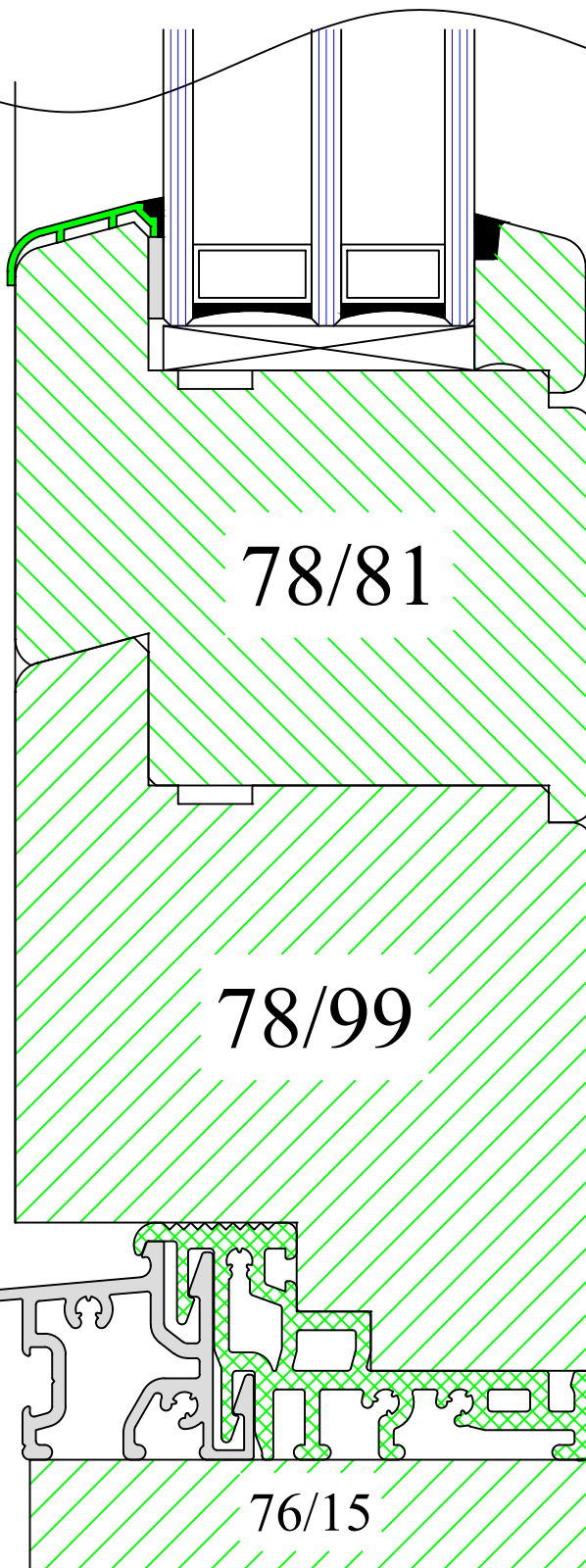
IV78 ECOPLUS
 Balcony door with aluminium threshold
 Wesser

Version:
 1
 Date:
 23.03.17

Scale:
 1:1
 Drawing:
 E19



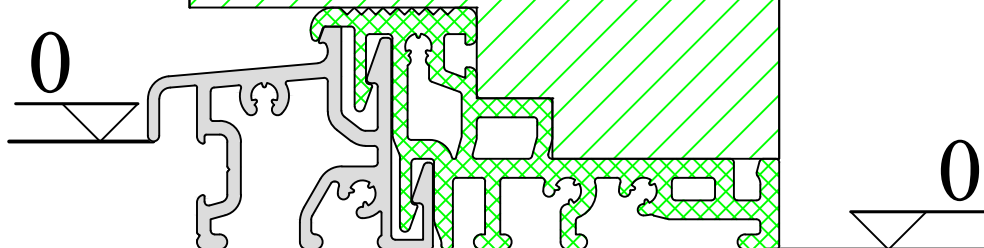
out



in

167

Y



76/15

www.uniwin.co.uk

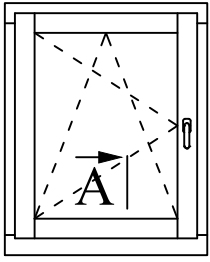


UNI WINDOWS Ltd.
 Unit 6, Edgefield Industrial Est.
 Loanhead, EH20 9TB
 Tel.: 0131 448 3931

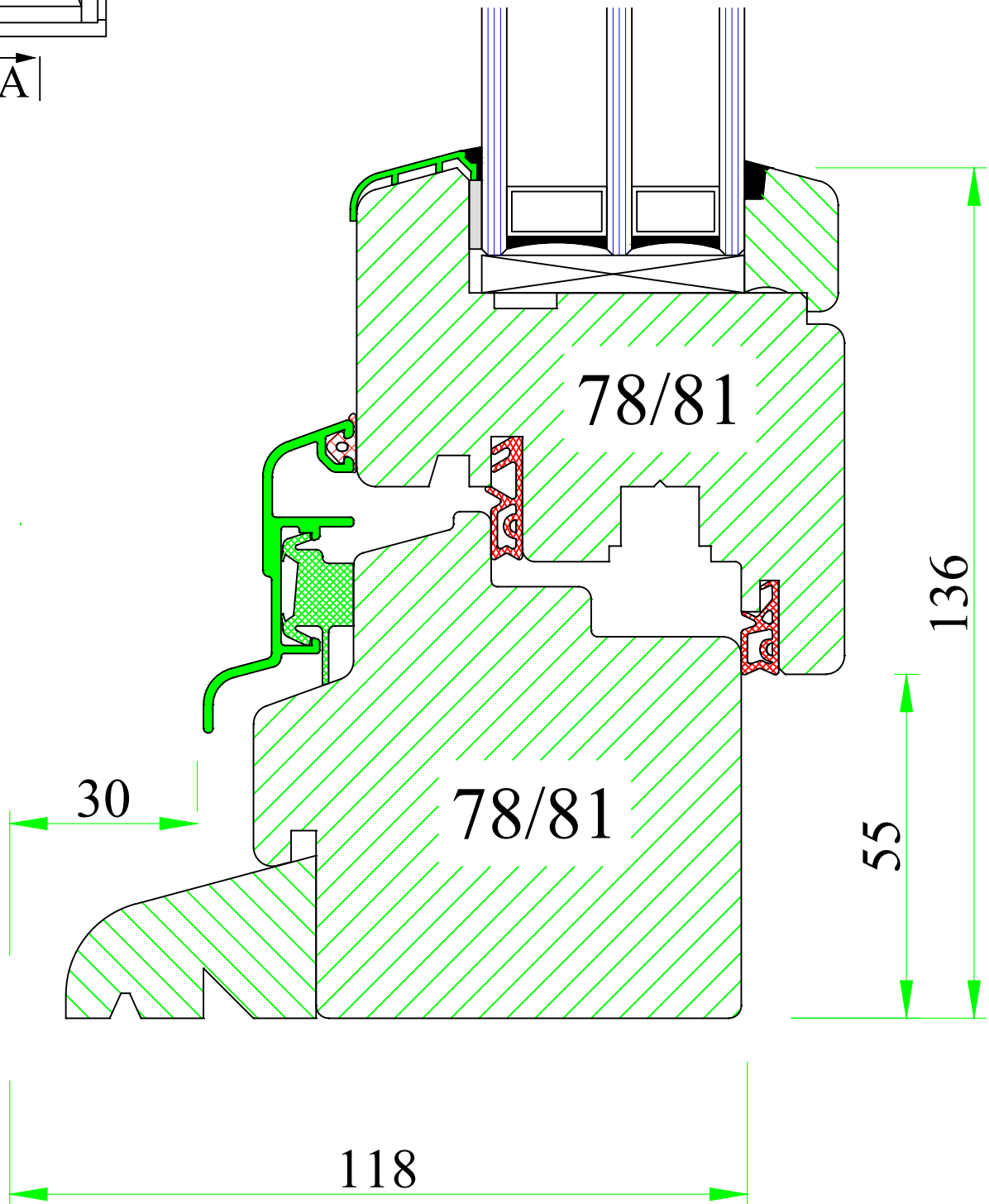
IV78 ECOPLUS
 Balcony door - side fix light line alignment
 with aluminium threshold Wesser

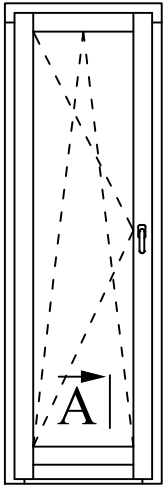
Version:
1
 Date:
23.03.17

Scale:
1:1
 Drawing:
E19-1

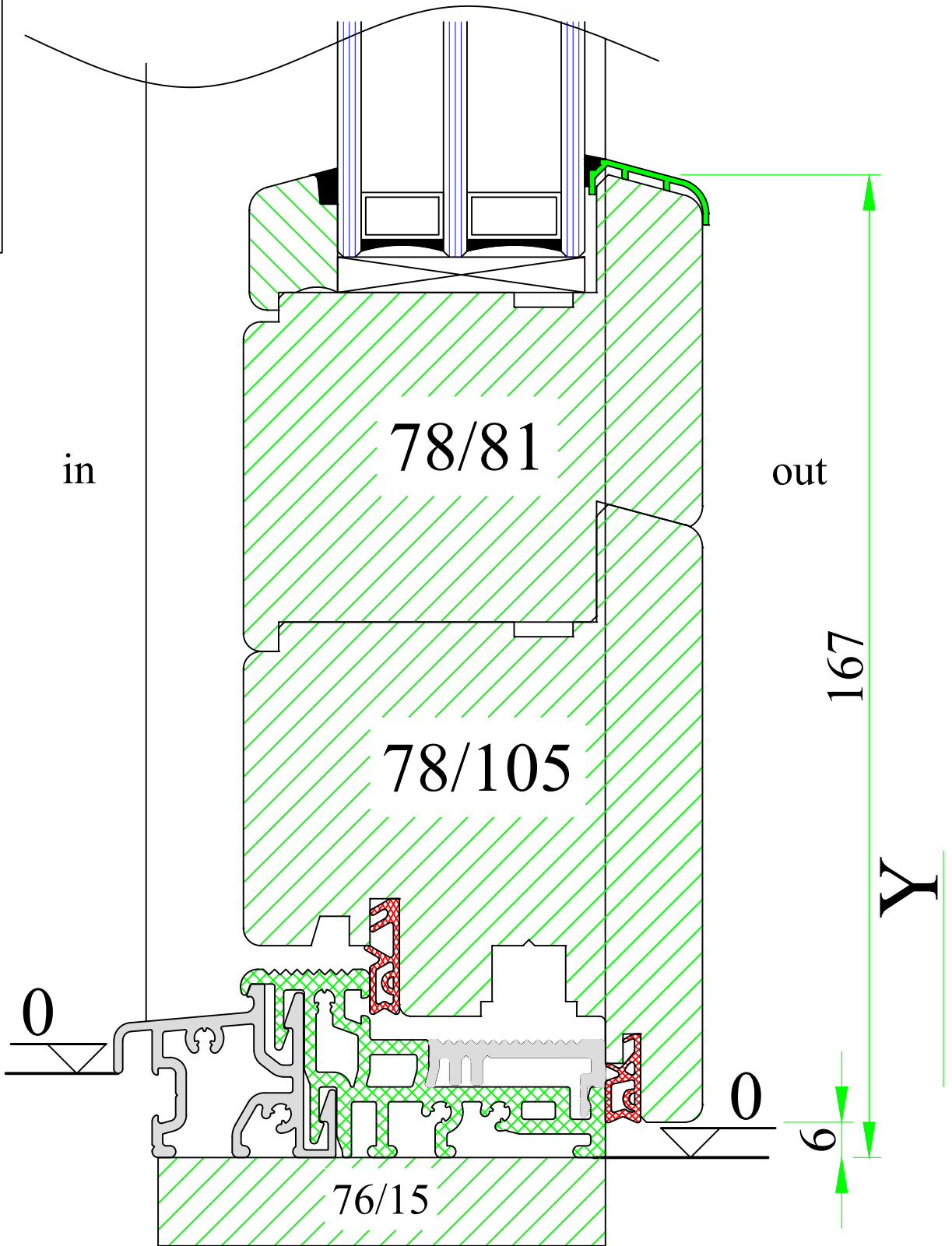


A





A



www.uniwin.co.uk

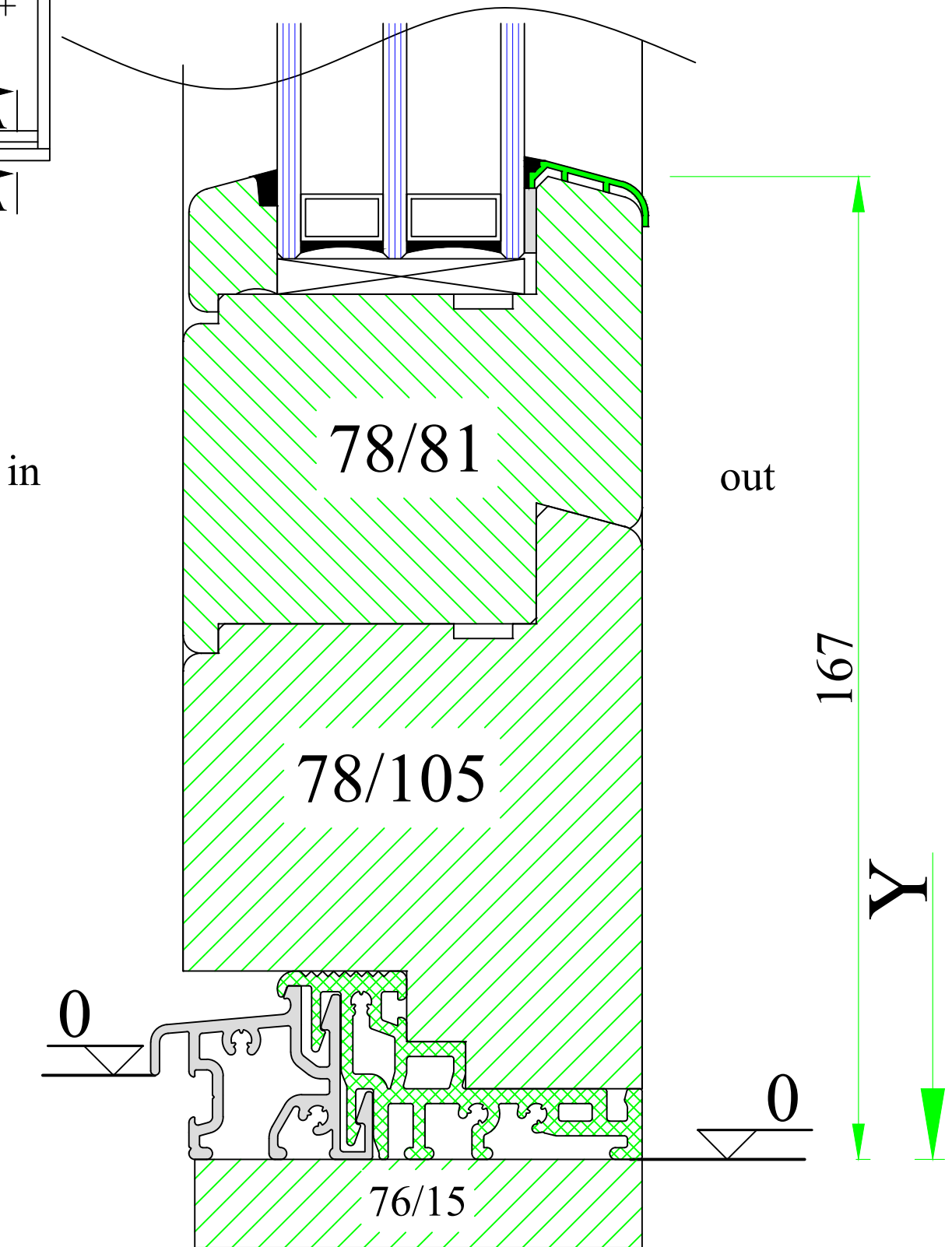
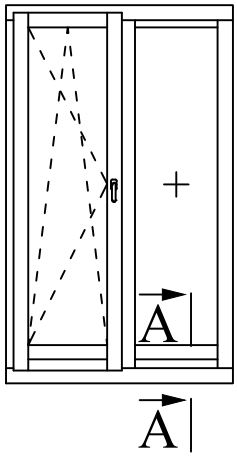


UNI WINDOWS Ltd.
 Unit 6, Edgefield Industrial Est.
 Loanhead, EH20 9TB
 Tel.: 0131 448 3931

IV78 ECOPLUS
 French doors - inward opening with
 aluminium threshold Wesser

Version:
1
 Date:
23.03.17

Scale:
1:1
 Drawing:
E21



www.uniwin.co.uk

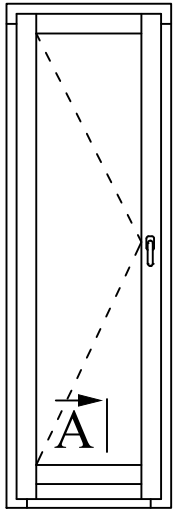


UNI WINDOWS Ltd.
 Unit 6, Edgefield Industrial Est.
 Loanhead, EH20 9TB
 Tel.: 0131 448 3931

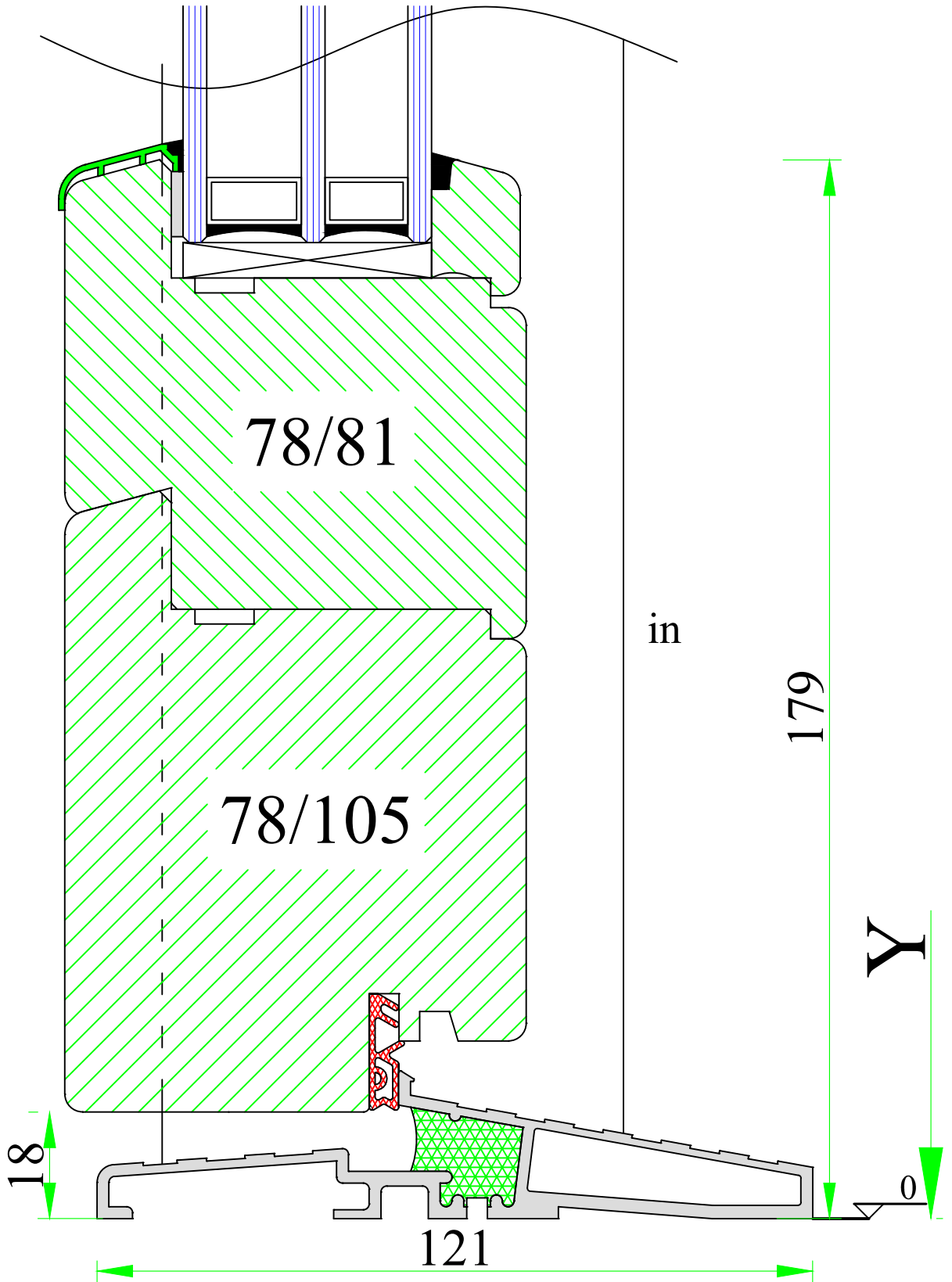
IV78 ECOPLUS
 French door - side fix light line alignment
 with aluminium threshold Wesser New

Version:
1
 Date:
23.03.17

Scale:
1:1
 Drawing:
E21-1



A



www.uniwin.co.uk

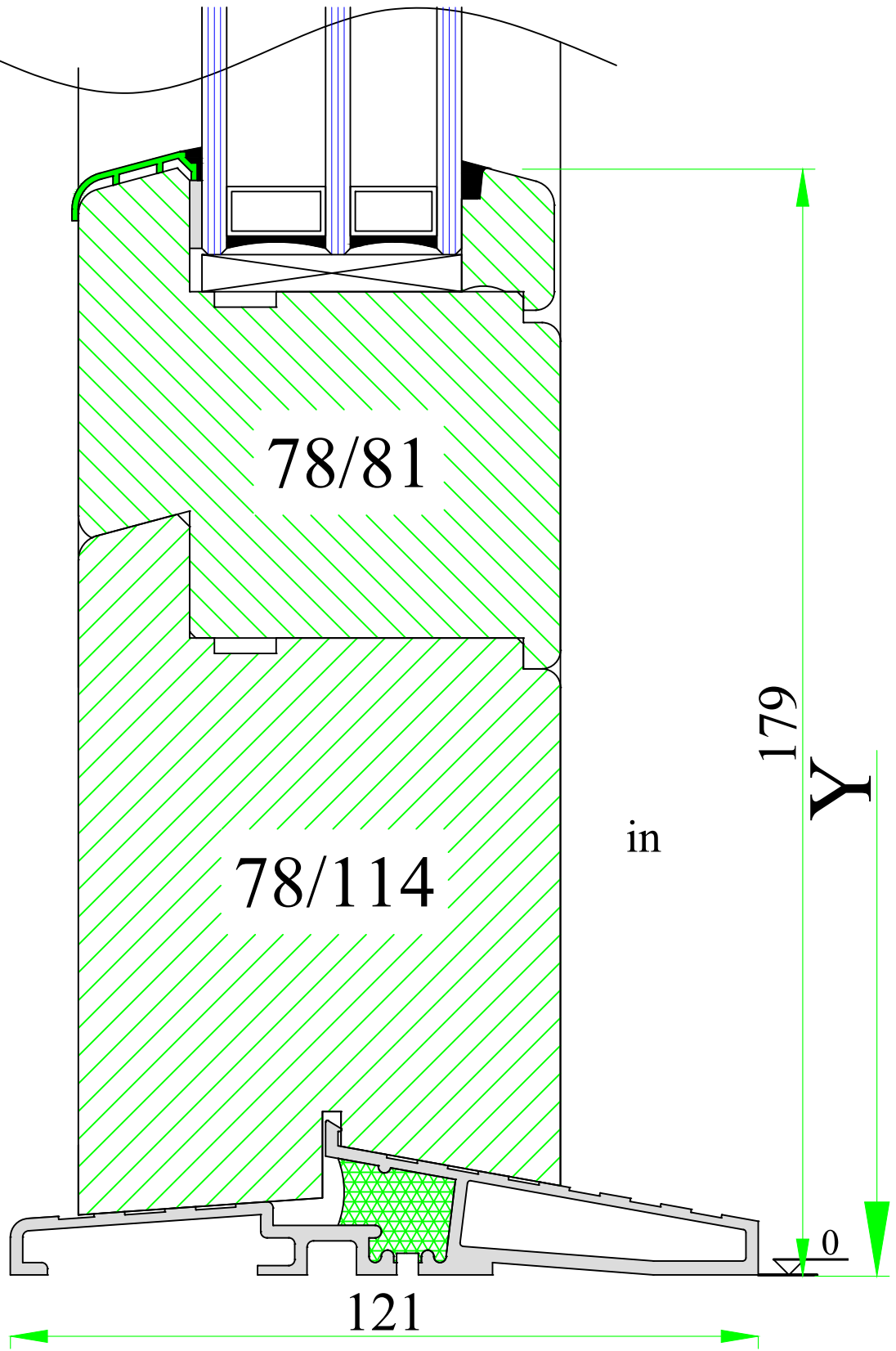
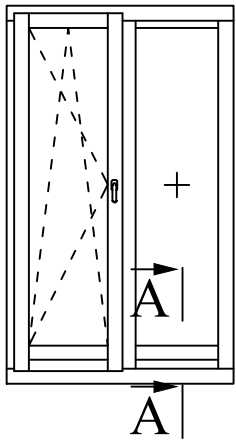


UNI WINDOWS Ltd.
 Unit 6, Edgefield Industrial Est.
 Loanhead, EH20 9TB
 Tel.: 0131 448 3931

IV78 ECOPLUS
 French doors with aluminium threshold
 DAFA

Version:
1
 Date:
23.03.17

Scale:
1:1
 Drawing:
E22



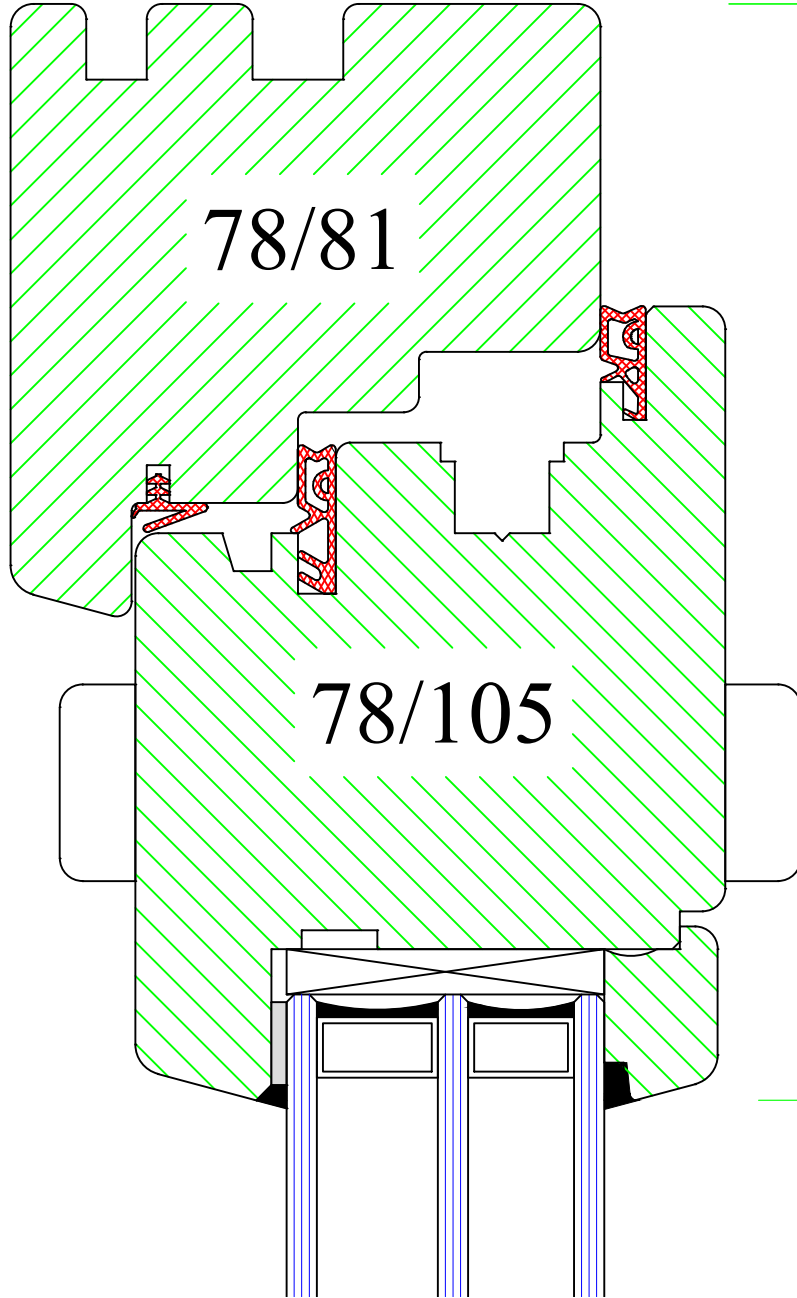
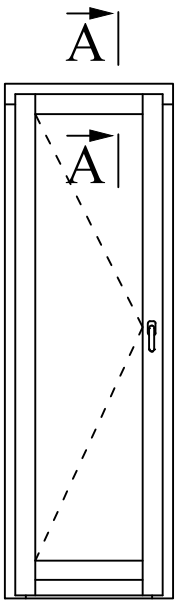
www.uniwin.co.uk



UNI WINDOWS Ltd.
 Unit 6, Edgefield Industrial Est.
 Loanhead, EH20 9TB
 Tel.: 0131 448 3931

IV78 ECOPLUS
 French door - side fix light line alignment
 with aluminium threshold DAFA

Version: 1	Scale: 1:1
Date: 23.03.17	Drawing: E22-1



40

145



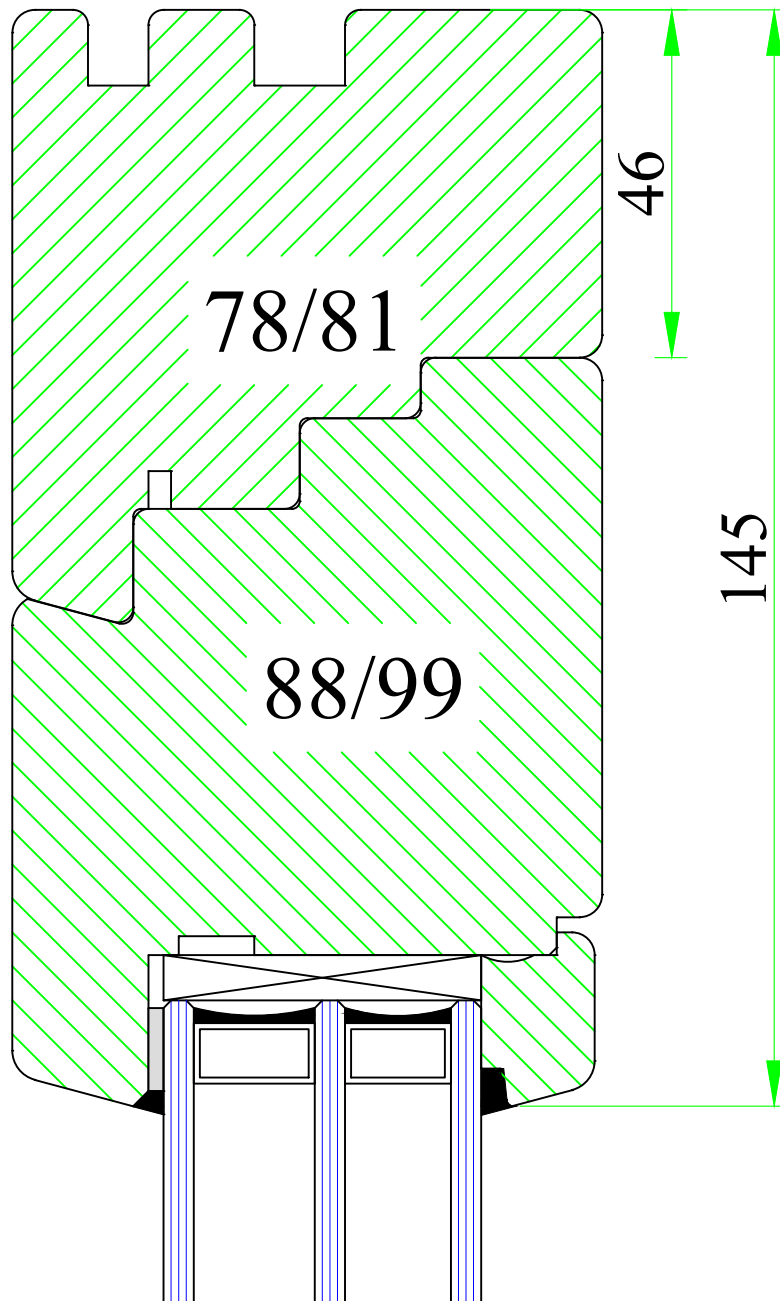
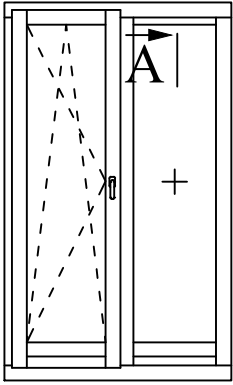
UNI WINDOWS Ltd.
 Unit 6, Edgefield Industrial Est.
 Loanhead, EH20 9TB
 Tel.: 0131 448 3931

IV78 ECOPLUS
 French door sash - top connection

Version:
1
 Date:
23.03.17

Scale:
1:1
 Drawing:
E23

A

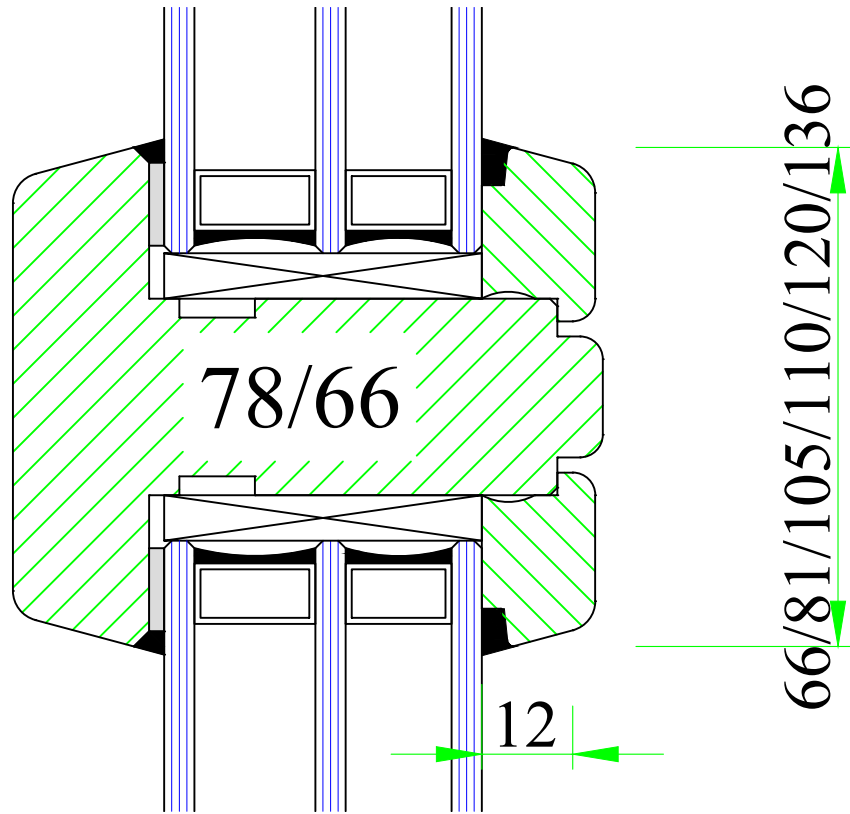
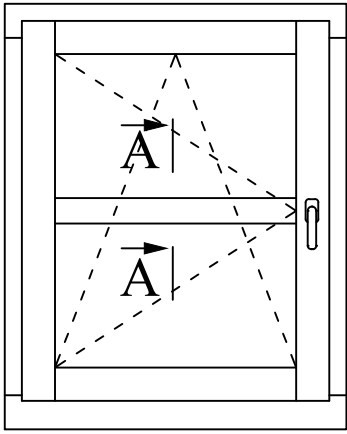


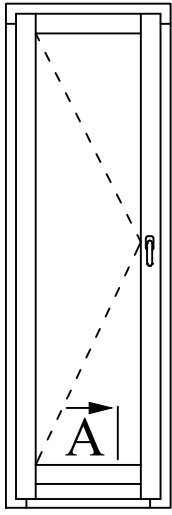
UNI WINDOWS Ltd.
Unit 6, Edgefield Industrial Est.
Loanhead, EH20 9TB
Tel.: 0131 448 3931

IV78 ECOPLUS
French door - glass line alignment - top

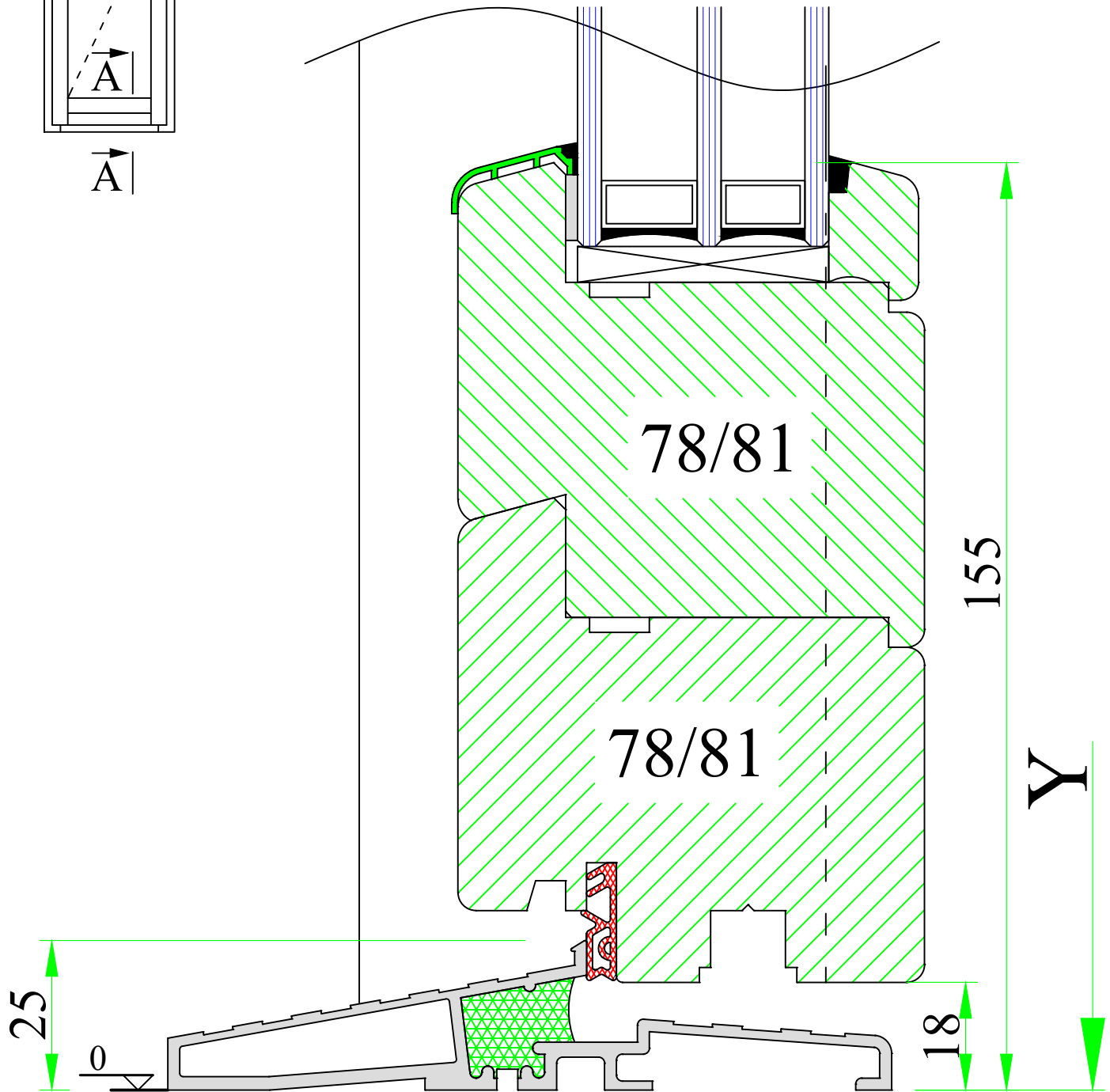
Version:
1
Date:
23.03.17

Scale:
1:1
Drawing:
E23-1





A



www.uniwin.co.uk

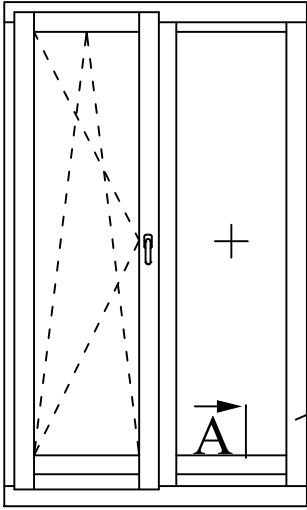


UNI WINDOWS Ltd.
 Unit 6, Edgefield Industrial Est.
 Loanhead, EH20 9TB
 Tel.: 0131 448 3931

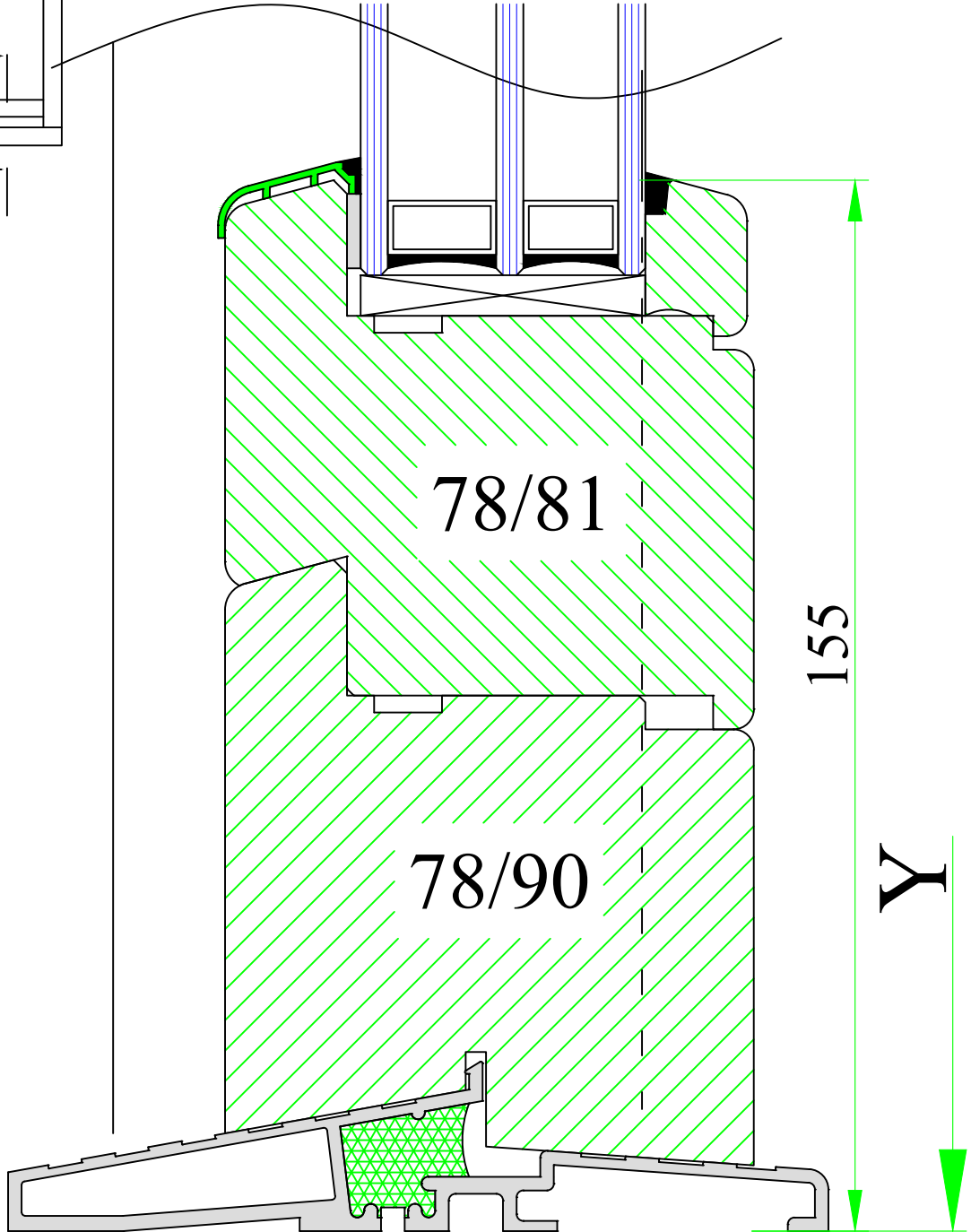
IV78 ECOPLUS
 Balcony door with aluminium threshold
 DAFA

Version:
1
 Date:
23.03.17

Scale:
1:1
 Drawing:
E25



A



www.uniwin.co.uk

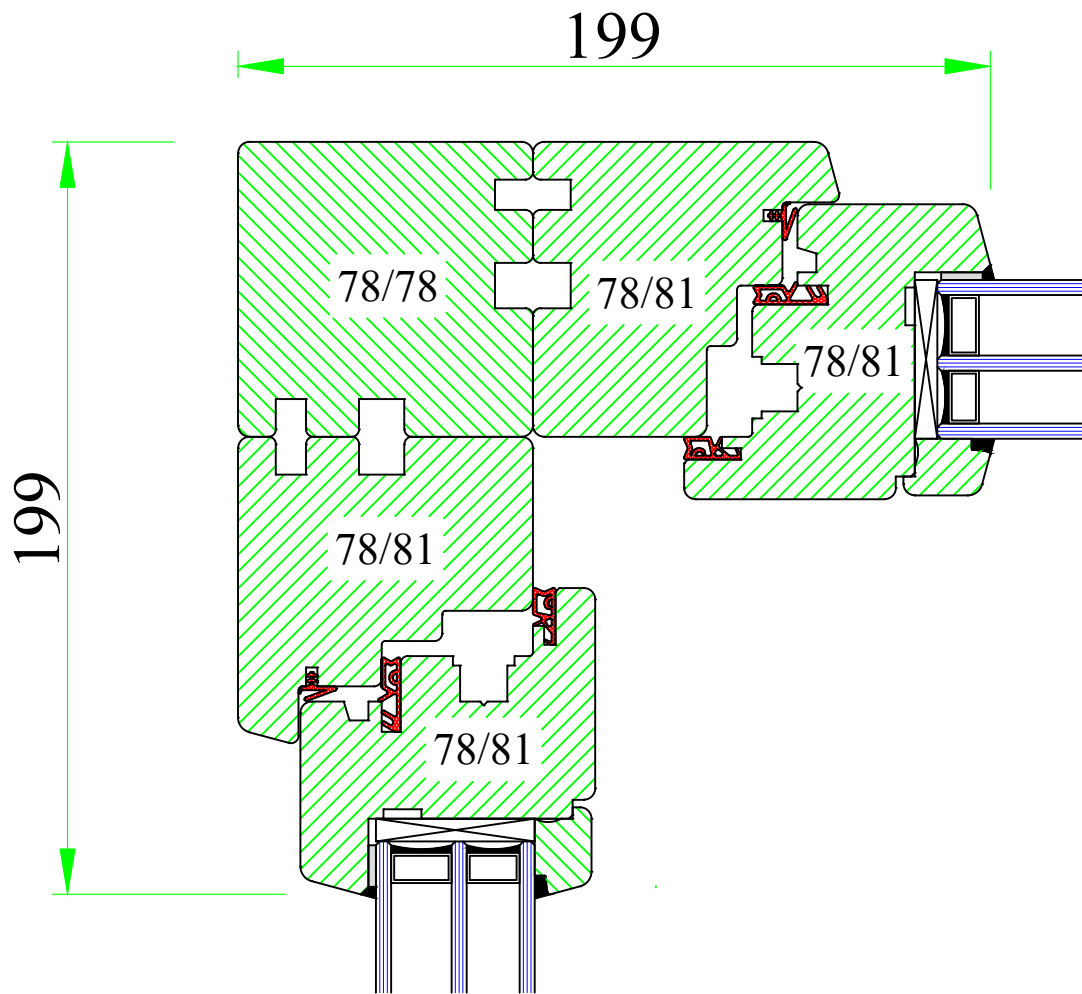


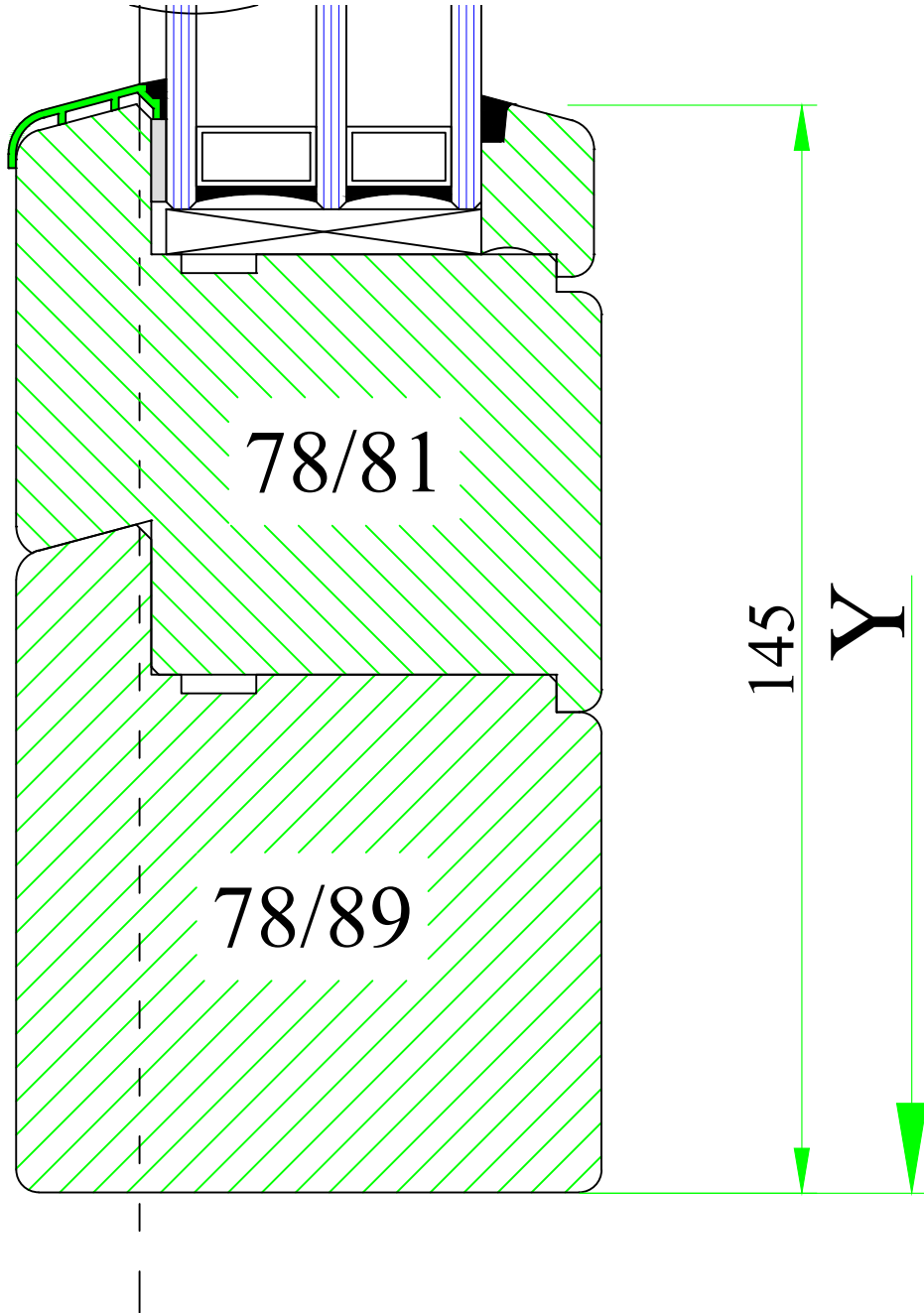
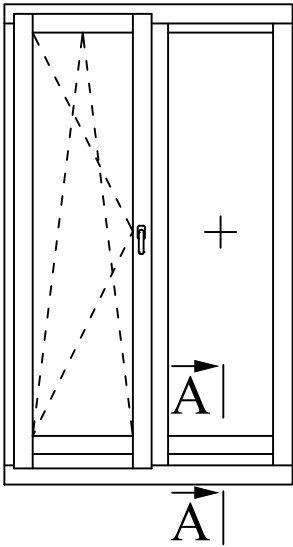
UNI WINDOWS Ltd.
 Unit 6, Edgefield Industrial Est.
 Loanhead, EH20 9TB
 Tel.: 0131 448 3931

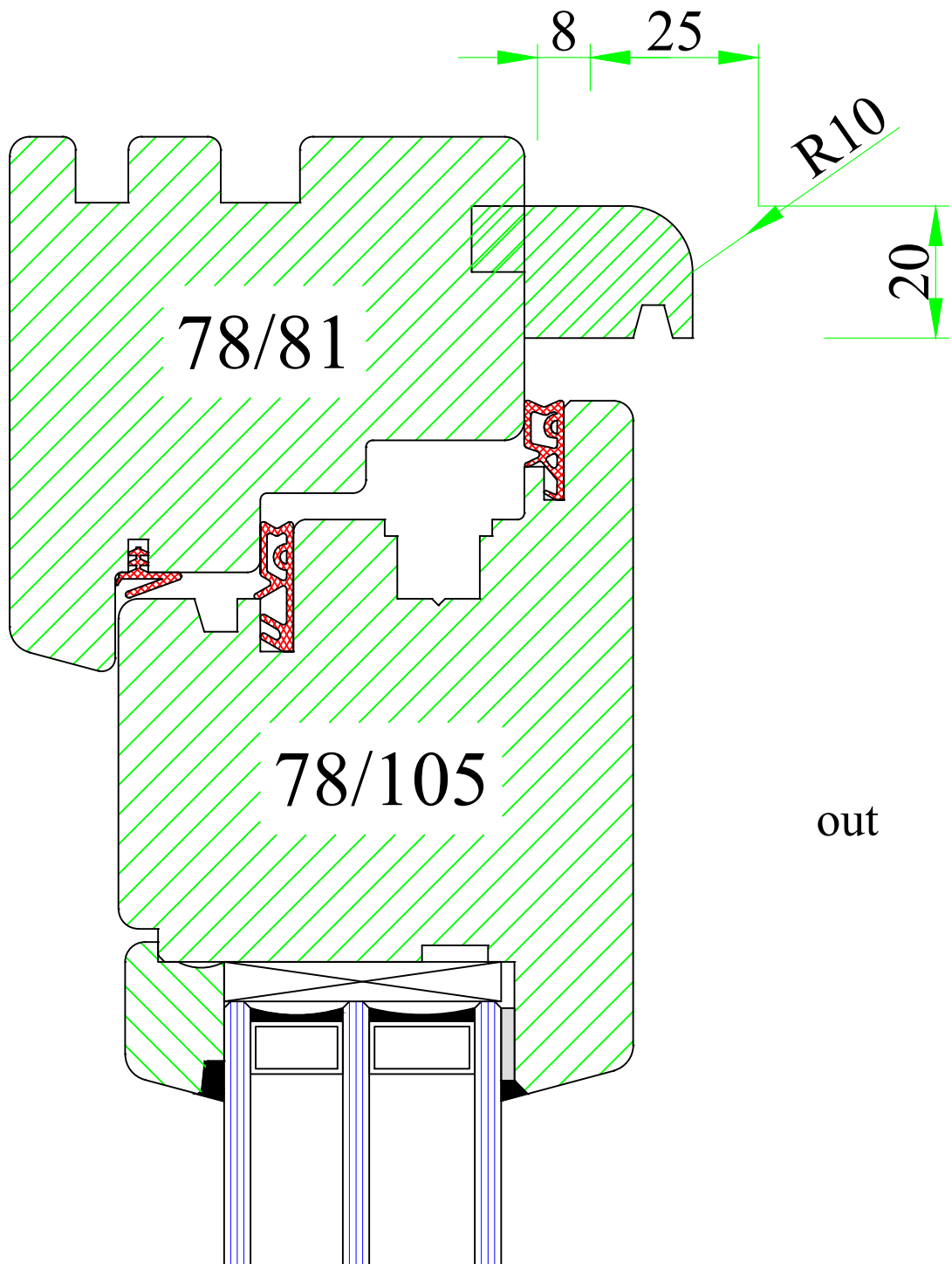
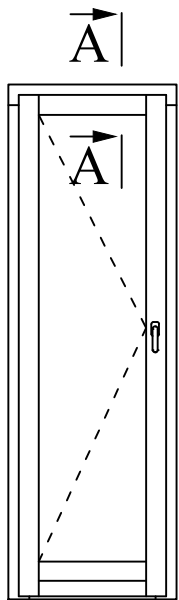
IV78 ECOPLUS
 Balcony door - side fix light line alignment
 with aluminium threshold DAFA

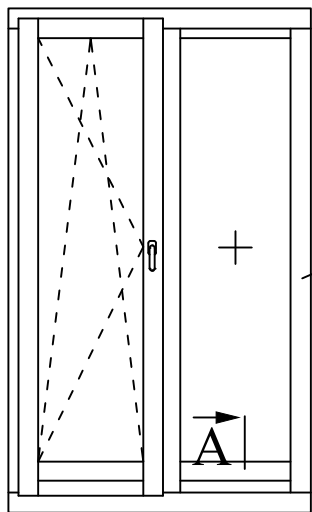
Version:
 1
 Date:
 23.03.17

Scale:
 1:1
 Drawing:
 E25-1

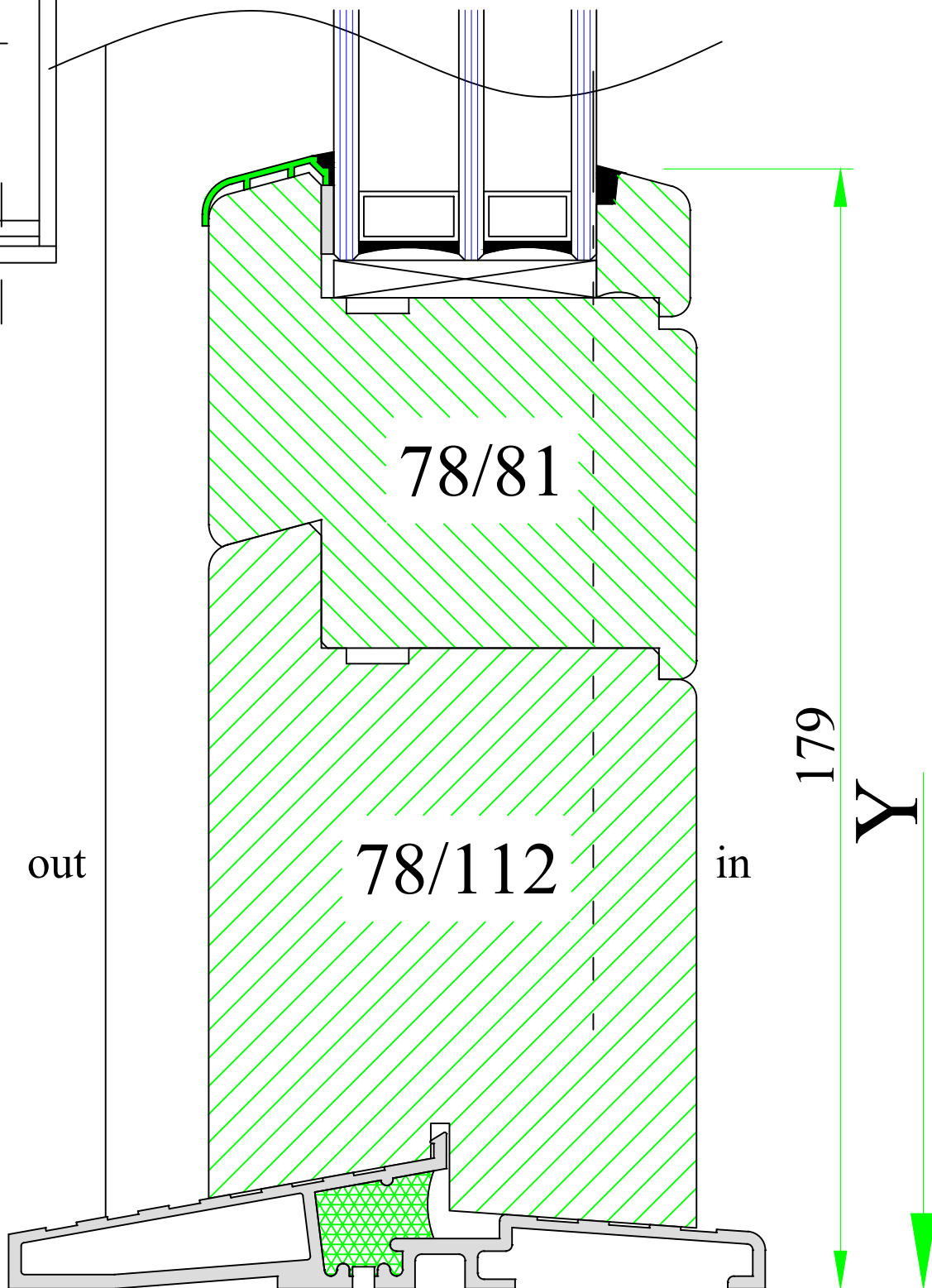








A



www.uniwin.co.uk

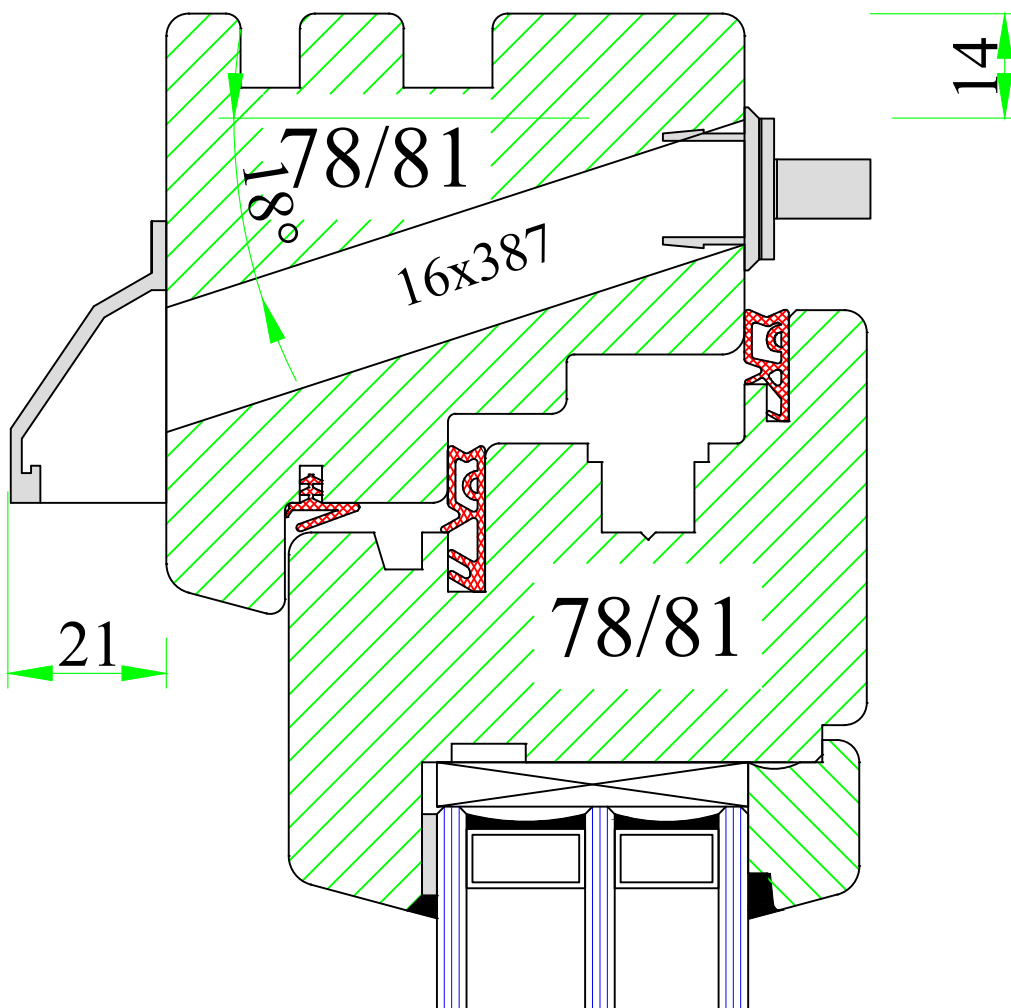
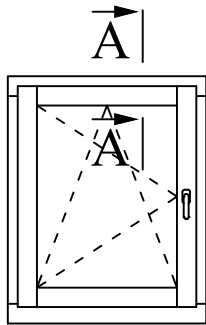


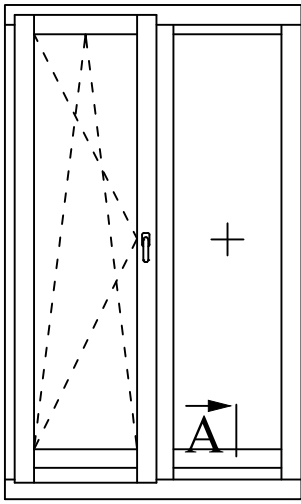
UNI WINDOWS Ltd.
 Unit 6, Edgefield Industrial Est.
 Loanhead, EH20 9TB
 Tel.: 0131 448 3931

IV78 ECOPLUS
 French door - side fix light line alignment
 with aluminium threshold DAFA

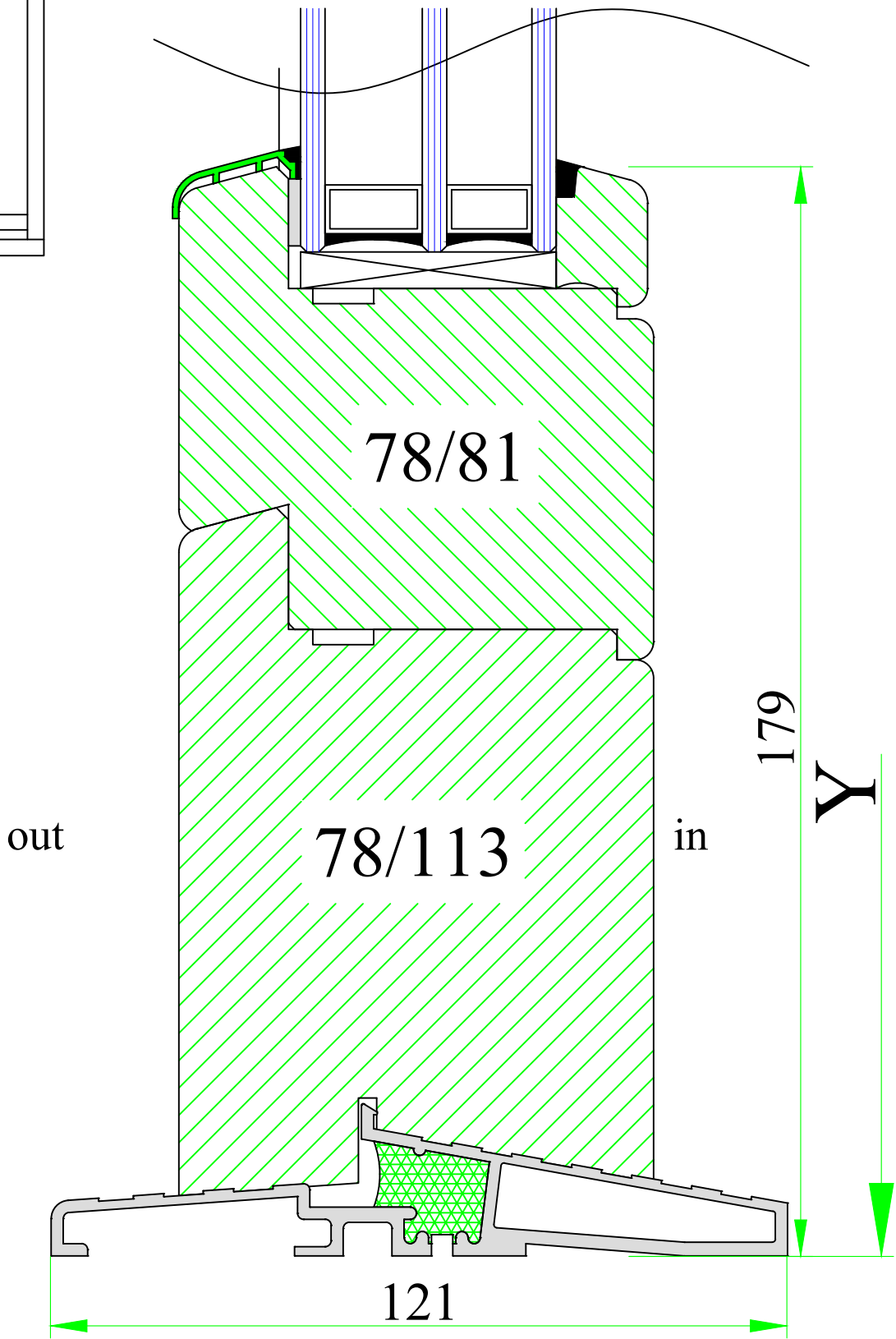
Version:
1
 Date:
23.03.17

Scale:
1:1
 Drawing:
E27-1





A-A



www.uniwin.co.uk

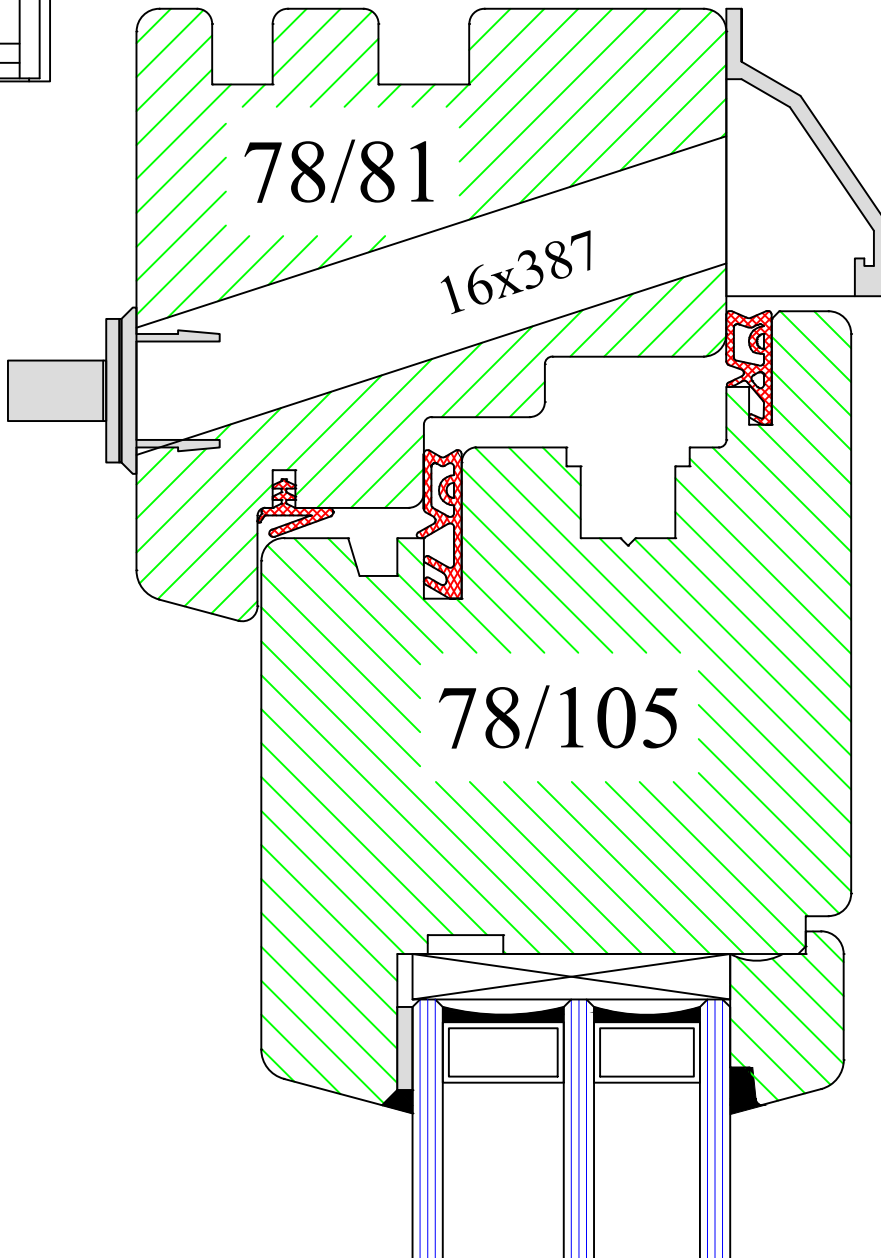
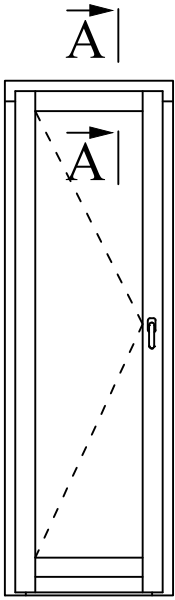


UNI WINDOWS Ltd.
 Unit 6, Edgefield Industrial Est.
 Loanhead, EH20 9TB
 Tel.: 0131 448 3931

IV78 ECOPLUS
 French door - outward opening - side light
 line alignment with alu threshold DAFA

Version:
1
 Date:
23.03.17

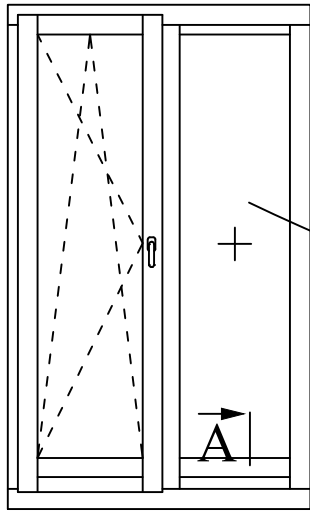
Scale:
1:1
 Drawing:
E28-1



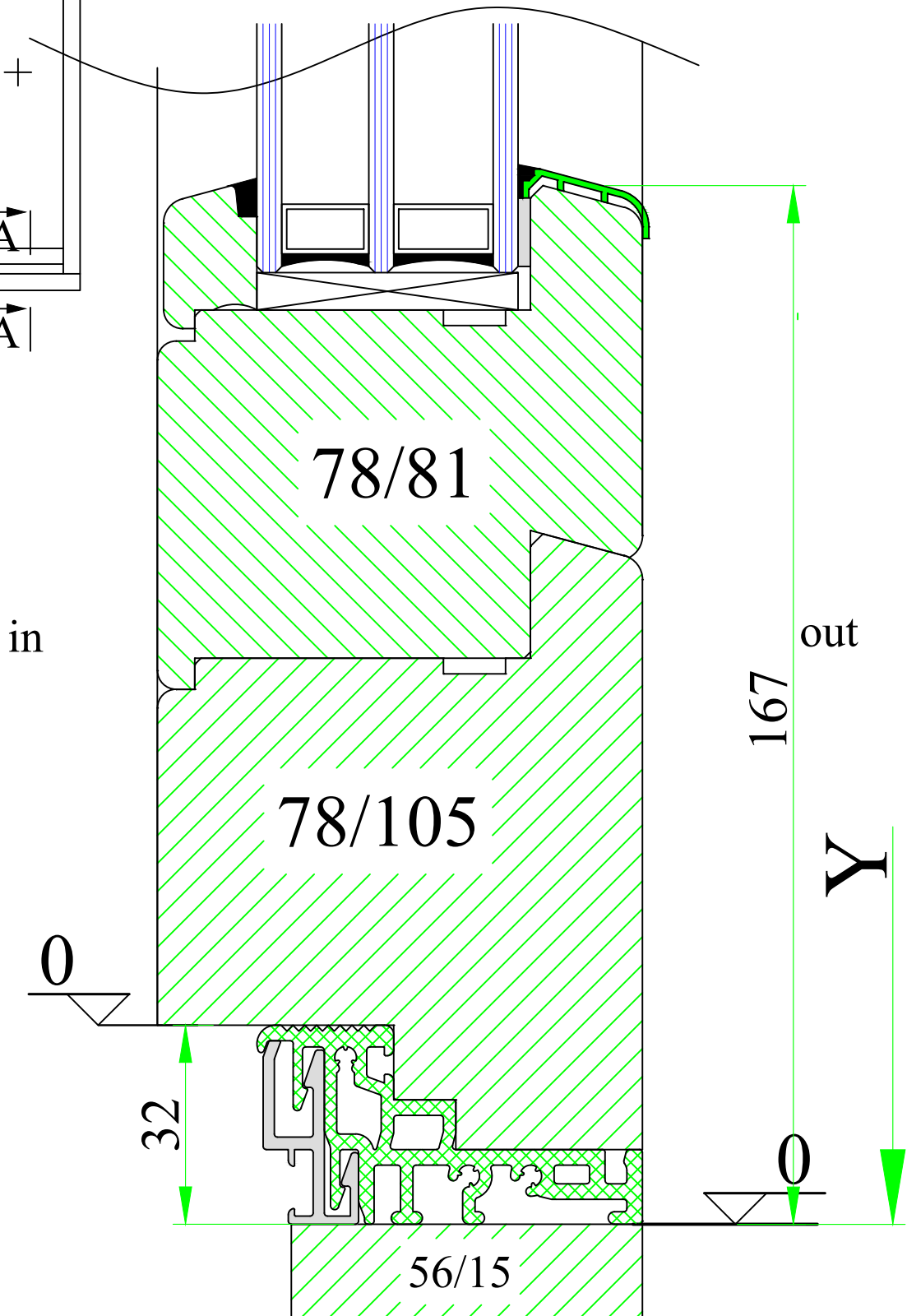
UNI WINDOWS Ltd.
 Unit 6, Edgefield Industrial Est.
 Loanhead, EH20 9TB
 Tel.: 0131 448 3931

IV78 ECOPLUS
 French door - door outward opening - trickle
 vent TV90

Version: 1	Scale: 1:2
Date: 23.03.17	Drawing: TEMPLAT



A



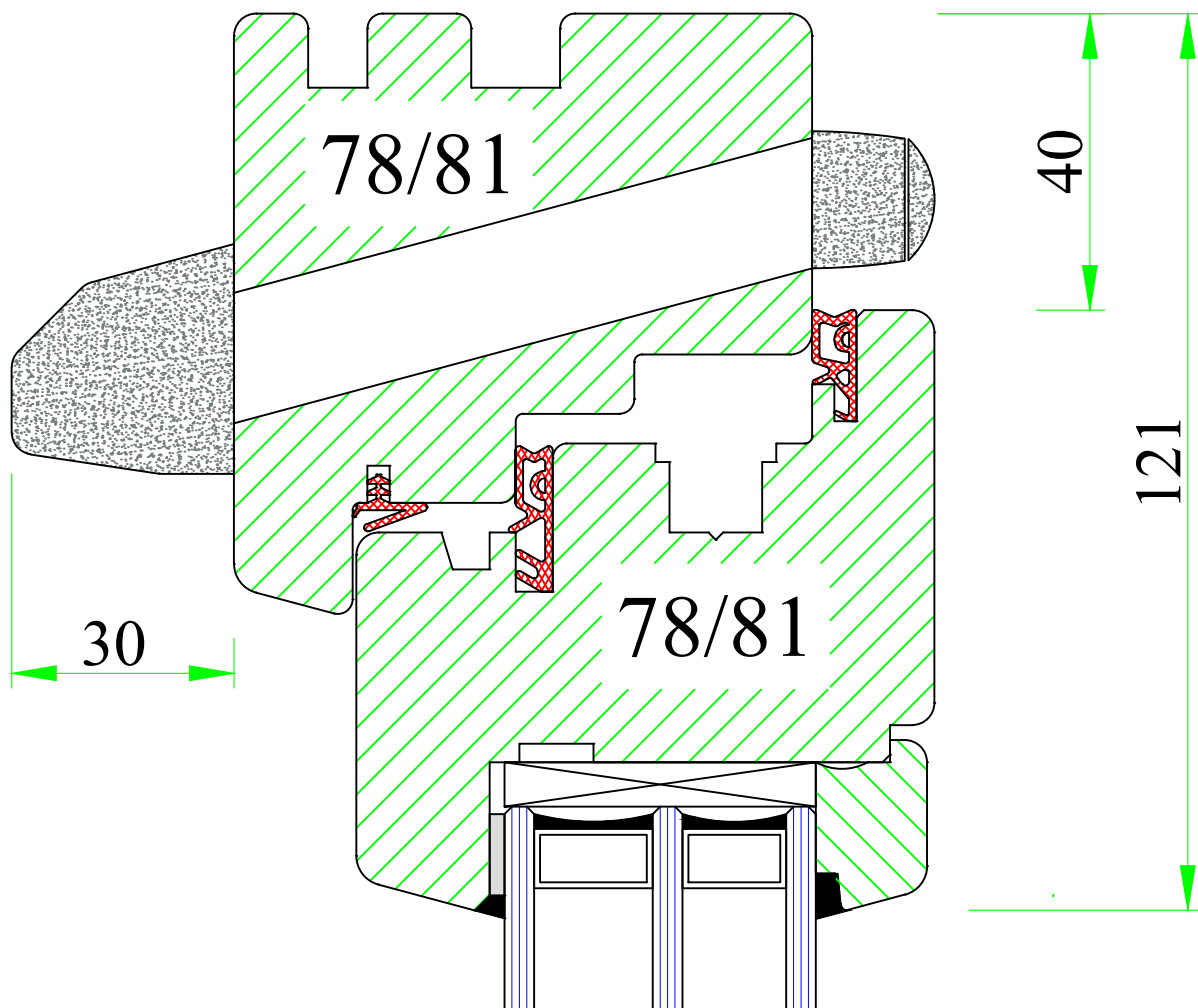
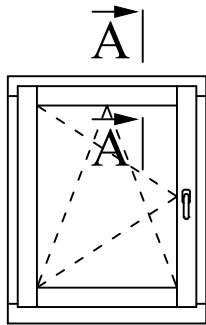
www.uniwin.co.uk

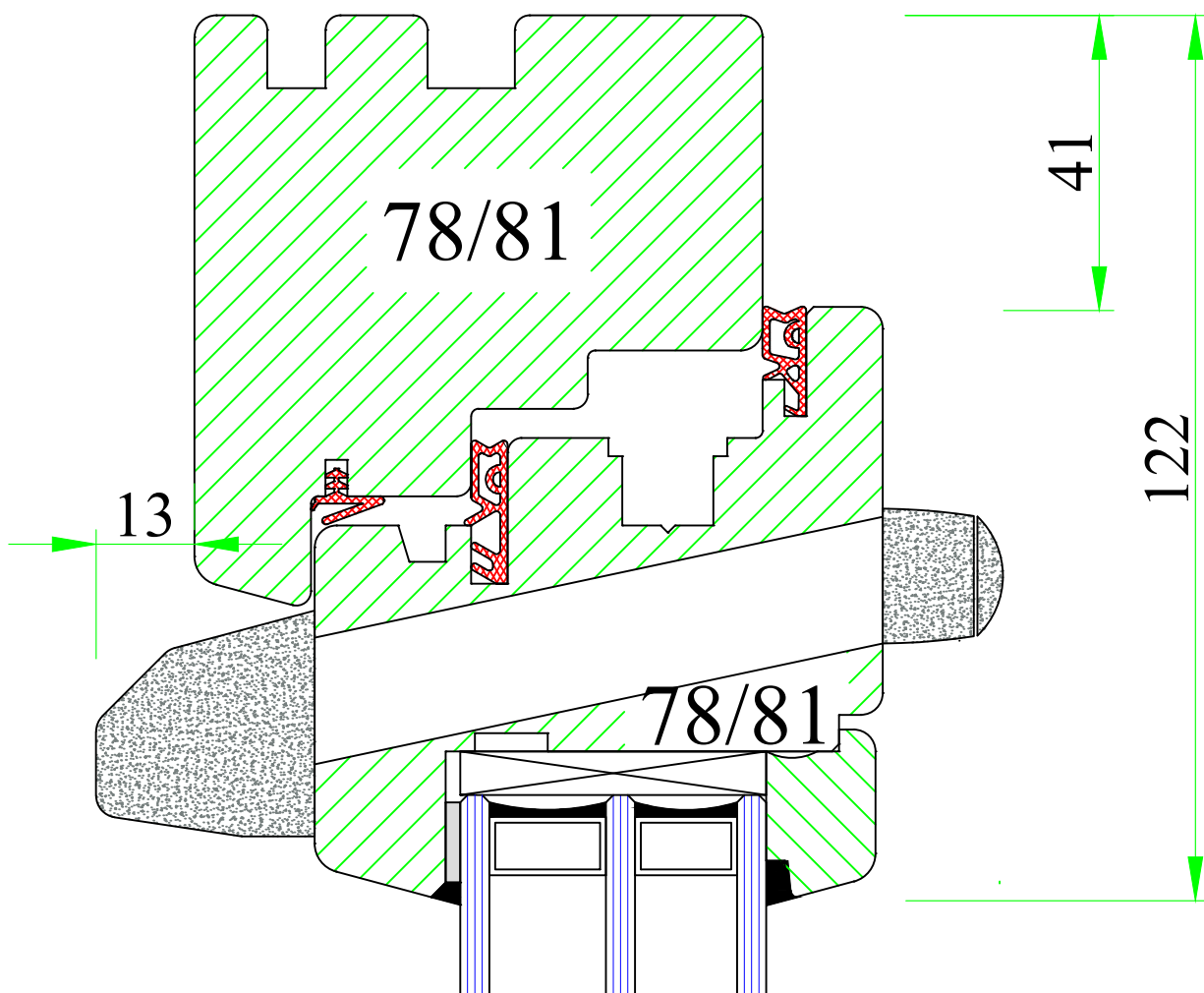
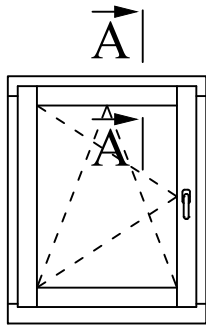


UNI WINDOWS Ltd.
 Unit 6, Edgefield Industrial Est.
 Loanhead, EH20 9TB
 Tel.: 0131 448 3931

IV78 ECOPLUS
 Balcony door - outward opening - side light
 line alignment with alu threshold Wesser A

Version: 1	Scale: 1:1
Date: 23.03.17	Drawing: E29-10000 000000000 000000000 000000000



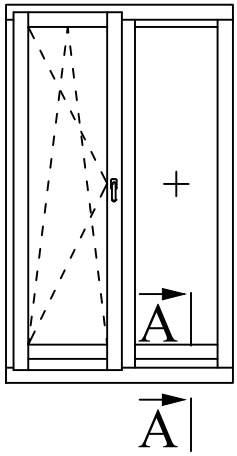


UNI WINDOWS Ltd.
 Unit 6, Edgefield Industrial Est.
 Loanhead, EH20 9TB
 Tel.: 0131 448 3931

IV78 ECOPLUS
 Window trickle vent S13/PC13 in sash

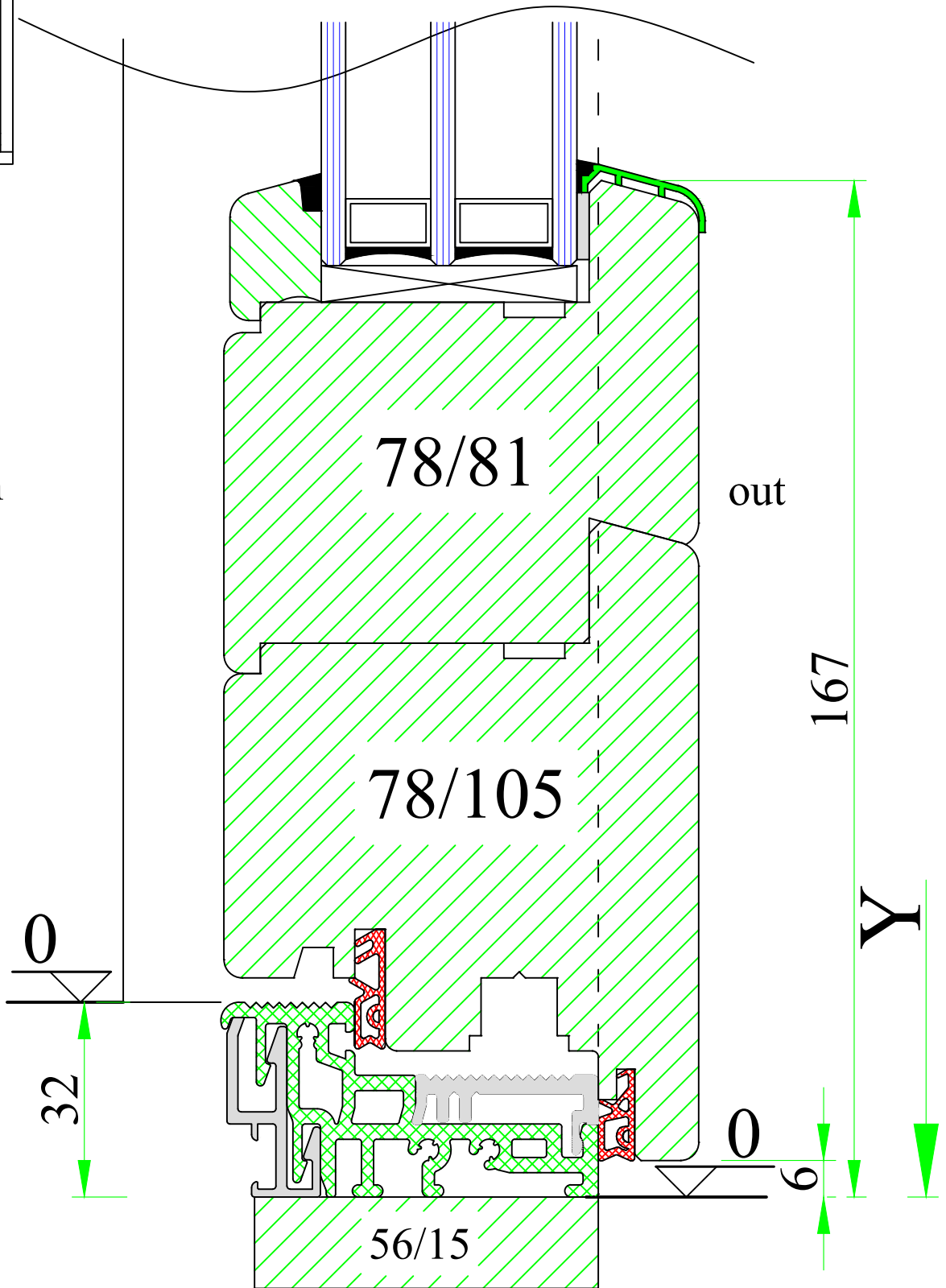
Version:
1
 Date:
23.03.17

Scale:
1:1
 Drawing:
E31



A

in



out

78/81

78/105

56/15

167

Y

0

32

0

6

www.uniwin.co.uk

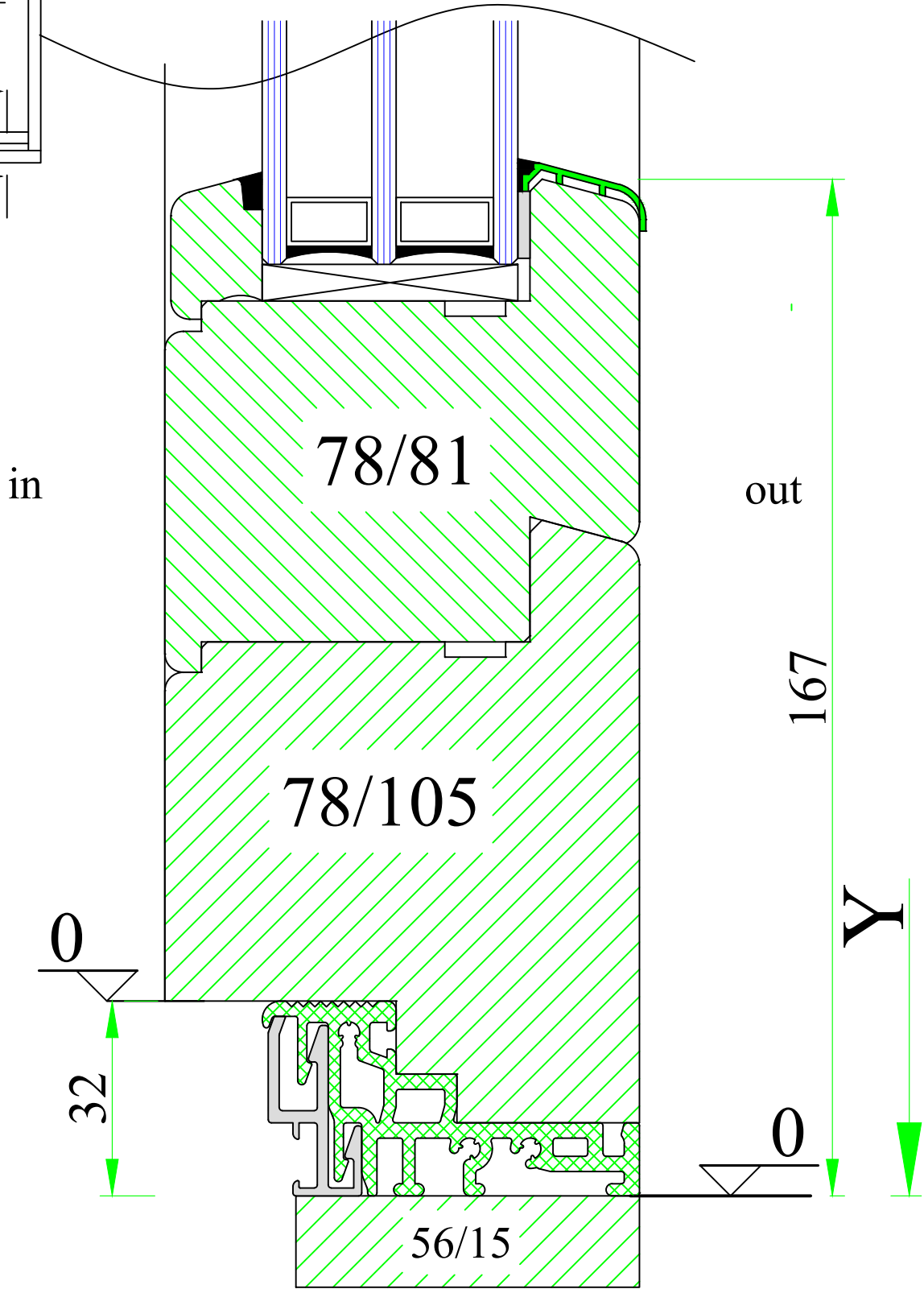
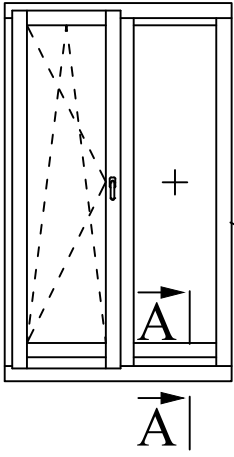


UNI WINDOWS Ltd.
 Unit 6, Edgefield Industrial Est.
 Loanhead, EH20 9TB
 Tel.: 0131 448 3931

IV78 ECOPLUS
 French door - outward opening with
 aluminium threshold Wesser A

Version:
1
 Date:
23.03.17

Scale:
1:1
 Drawing:
E32



www.uniwin.co.uk

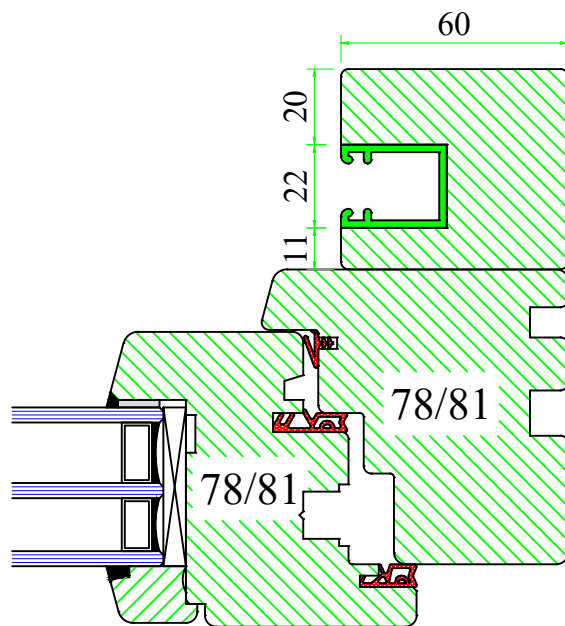


UNI WINDOWS Ltd.
 Unit 6, Edgefield Industrial Est.
 Loanhead, EH20 9TB
 Tel.: 0131 448 3931

IV78 ECOPLUS
 French door - outward opening - side light
 line alignment with alu threshold Wesser A

Version: 1	Scale: 1:1
Date: 23.03.17	Drawing: E32-1

T/37



T/37/1

